



W24212

KITCHEN FAUCETS

☐ **Single Handle Deck Mount**

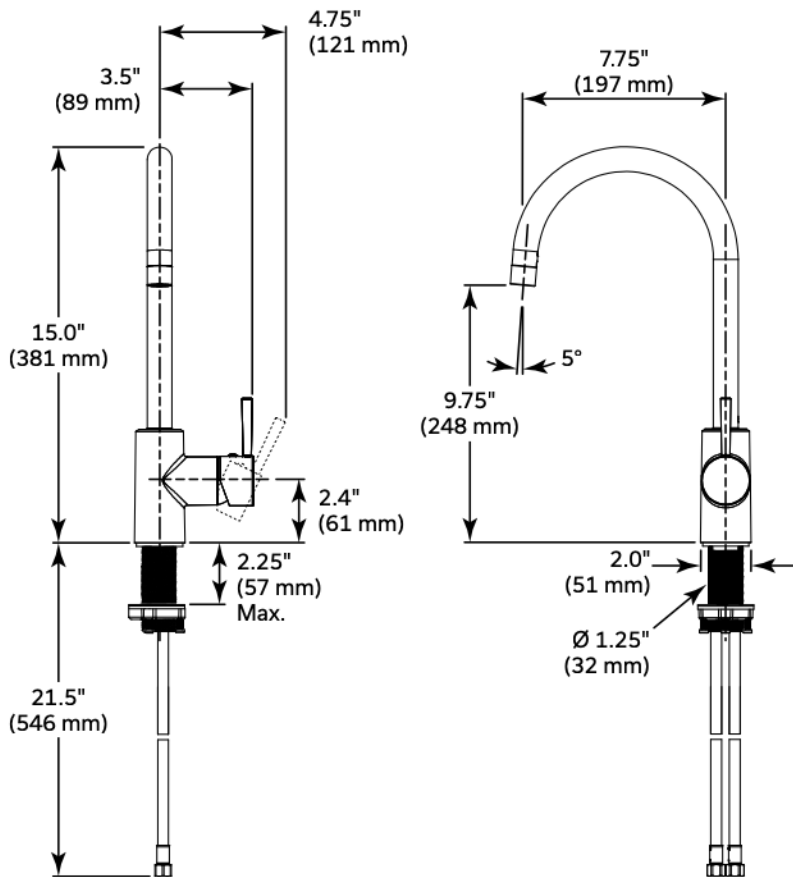
STANDARD SPECIFICATIONS:

- Maximum flow rate 1.5 gpm (5.7 L/min)
- Single handle kitchen faucet
- One or three hole mount
(188D - Escutcheon optional, not included)
- Spout rotates 360°
- Ceramic Cartridge
- Red/Blue indicator markings
- Polymer braided flexible supply hose with 3/8" compression fitting



COMPLIES WITH:

- ASME A112.18.1 / CSA B125.1
- Verified compliant with 0.25% weighted average Pb content regulations
- ♿ Indicates compliance to ICC/ANSI A117.1



WARRANTY

- Parts and Finish - Lifetime limited warranty; or for commercial purchasers, 10 years for multi-family residential (apartments and condominiums) and 5 years for all other commercial uses, in each case from the date of purchase.

Masco Canada Limited

www.waltecfaucets.ca

350 South Edgeware Road, St. Thomas, ON N5P 4L1

© 2021 Masco Canada Limited