

### Features

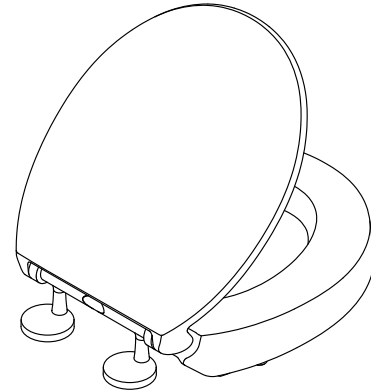
- 3" (76 mm) raised seating surface provides a more comfortable height for those with limited mobility
- Eye-pleasing design mimics a conventional toilet seat, with no unattractive riser to detract from your bathroom decor
- Round closed-front seat
- Contoured seat for user comfort
- Grip-Tight installation hardware makes it easy to fasten the seat – everything is done from above the bowl
- Quick-Release™ functionality allows seat to be removed easily from toilet for convenient cleaning
- Grip-Tight bumpers hold seat firmly in place
- Quiet-Close™ round-front lid and seat prevents slamming

### Material

- Plastic construction

### Installation

- Installs easily and securely onto your existing toilet bowl
- For residential use only

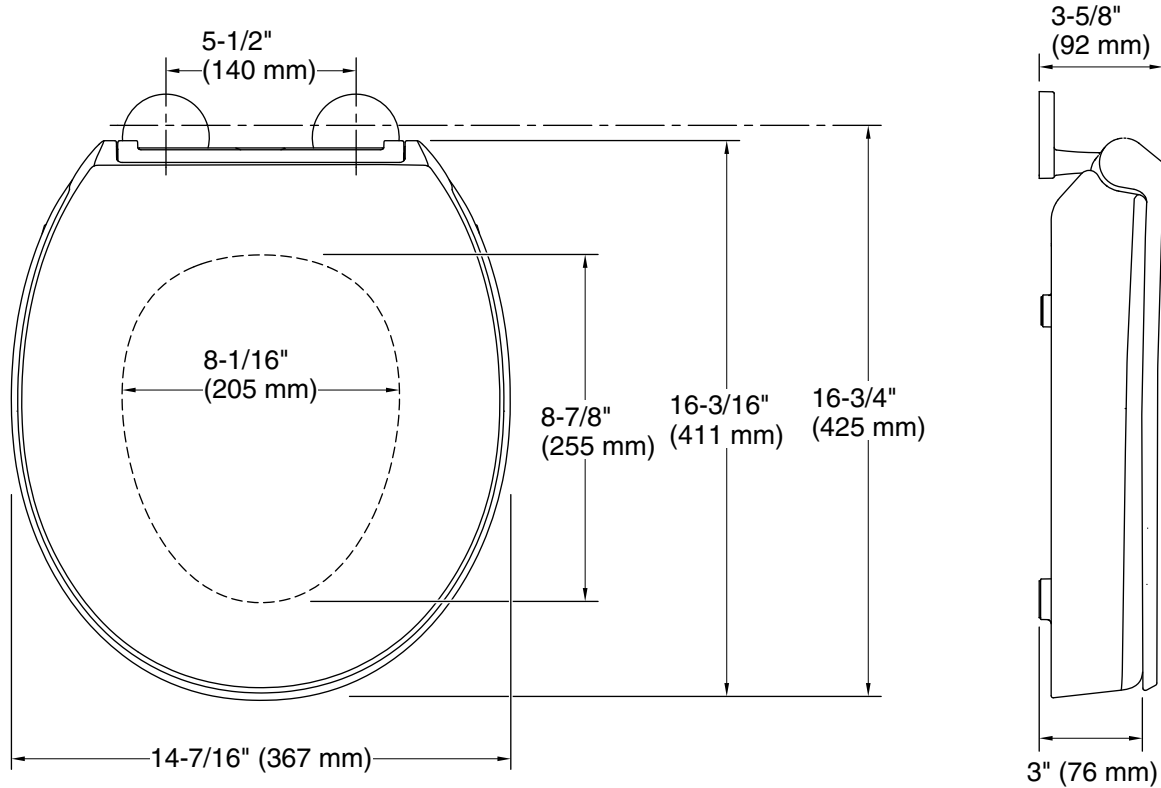


### Codes/Standards

IAPMO/ANSI Z124.5

### KOHLER® Toilets and Seats Limited Warranty

See website for detailed warranty information.



### Technical Information

All product dimensions are nominal.

Seat shape type: Round-front  
Seat front type: Closed-front  
Seat-mounting holes: 5-1/2" (140 mm)