

Installation Methods for IPEX System 636® Type BH PVC and CPVC Gas Venting Systems

System 636®



Introduction

System 636 PVC and CPVC Type BH Gas Venting Systems are third party certified to ULC S636, latest edition.

The following installation methods have been prepared in conformity with the requirements of section 4 of ULC Standard S636.

1. Application

IPEX Inc. System 636 PVC and CPVC Gas Venting Systems are intended for negative or positive pressure venting of gas fired appliances producing exhaust gases having temperatures limited to the range specified in 1(a) and 1(b).

- (a) System 636 PVC venting systems are suitable for temperatures up to and including 65°C (149°F); ULC S636 Class II A.
- (b) System 636 CPVC venting systems are suitable for temperatures up to and including 90°C (190°F); ULC S636 Class II B.

2. Limits of Use and Application

- (a) Improper installation of System 636 PVC or CPVC systems may result in personal injury or death. Only qualified personnel should attempt the installation of gas burning equipment, following the gas appliance manufacturers directions.
- (b) All System 636 gas venting pipe and fitting must be carefully inspected before use to ensure no damage has occurred during transportation. Any damaged product must be replaced. No attempt at repairs shall be made at the job site.
- (c) The common temperature changes in a gas venting application will cause the system to expand and contract accordingly, proper care must be taken to allow for this movement through walls, ceilings, and roof penetrations. The venting system must be supported in accordance with these instructions.

System 636 Pipe, Fittings and Cements are certified as a system and must be installed as such. Different manufacturers have different materials, joining systems and adhesives. Do NOT mix pipe, fittings, solvents, or joining methods from different BH Vent manufacturers, this can result in unsafe conditions.

System 636®

(d) Only approved System 636 PVC or CPVC primer and cement shall be used to assemble System 636 PVC or CPVC venting systems.

* All IPEX System 636 cements contain special additives to aid in identification during warranty claims.

Note: Follow IPEX solvent cementing procedures as shown in this manual, and check for proper joint construction when joining pipe to fittings.

(e) Venting should be as direct as possible with a minimum number of fittings. The maximum vertical rise or horizontal run of vent pipe in a single vent installation shall not exceed the requirements outlined in the appliance manufacturer's installation instructions. The total number of vent fittings in a single vent installation shall not exceed the requirements outlined in the appliance manufacturer's installation instructions.

(f) All framing requirements for floor and ceiling penetrations shall be in accordance with the local building code and/or the local regulatory authority.

(g) All penetrations of fire related floors and walls shall be firestopped as described in Section 7 of this manual.

(h) Roof penetrations should be sealed with a plumbing roof boot or equivalent flashing as per the local building code, or as permitted by the local regulatory authority.

(i) Chemical attack can cause product failure. Only use PVC/CPVC chemically compatible sealants, gaskets and adhesives.

(j) **WARNING:** Insulation shall not interfere with required clearance spaces.

3. Terminations (positive pressure venting)

- (a) Terminations must be in accordance with the appliance manufacturer's instructions, local building code requirements and CAN/CSA-B149.1-10
- (b) Intake and exhaust pipes may be routed either horizontally through an outside wall (see Fig. 1 and Fig. 3) or vertically through the roof (see Fig. 6).
- (c) To avoid recirculation of exhaust gas on roof terminations, the end of the exhaust pipe must be higher than the intake pipe. The minimum vertical separation between the end of the exhaust pipe and the end of the intake pipe is 8 inches (see Fig. 2).
- (d) The runs of intake and exhaust pipes for terminations in general should be installed as close together as possible. Specific spacing limits are 3" maximum separation for roof penetrations and 6" maximum separation for wall penetrations (see Fig. 1 and Fig. 6).
- (e) Terminate the exhaust piping straight up or straight out as shown (see Fig. 6 and Fig. 7).
- (f) Intake piping terminating through the roof must terminate straight down through the use of two 90° elbows (see Fig.3). On wall terminations intake piping should point straight out (see Fig. 1 and Fig. 3).
- (g) A reducer may be used on the exhaust termination to increase the velocities of the exiting

Figure 1

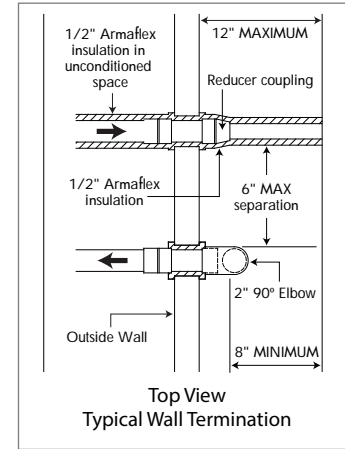
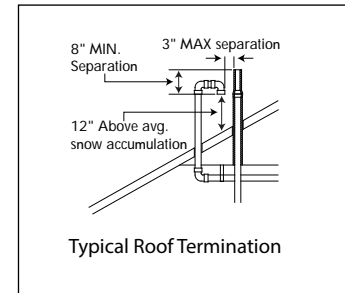


Figure 2



gases away from the intake (see fig. 7). Do not direct exhaust to window wells, alcoves or stairwells.

- (h) Combustion air intakes should not be located within 6 ft. of a dryer vent outlet hood, or the inlet or outlet of another appliance. The exit points of gas venting pipe must not be less than 3 ft. from an opening into another building.
- (i) The termination of the intake plate through the wall must be at a level of at least 12 inches above the average height of snow accumulation (see Fig. 7 and Fig 6).
- (j) Insulating in unconditioned space is required for all exhaust piping. Insulation must have an R value sufficient to prevent freezing of condensate. Ensure all insulating products are compatible with System 636 pipe and fittings. (See Fig. 3).
- (k) Follow appliance manufacturer's instructions regarding vent to appliance connections. Refer to ULC Bulletin 2009-18.
- (l) See Fig. 4 and Fig. 5 for concentric vent installations.

Figure 4

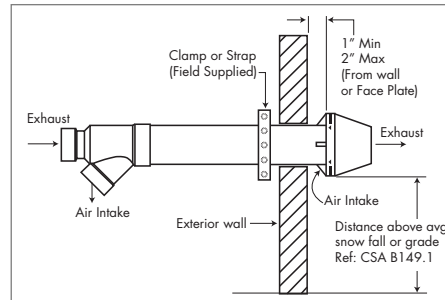


Figure 3

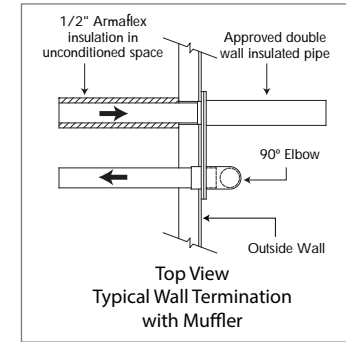


Figure 5

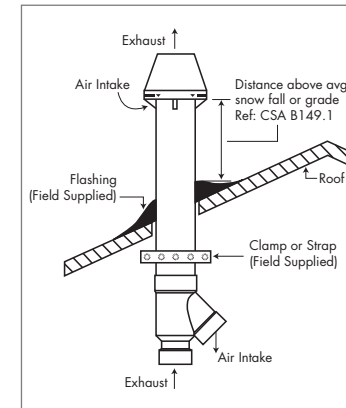


Figure 6

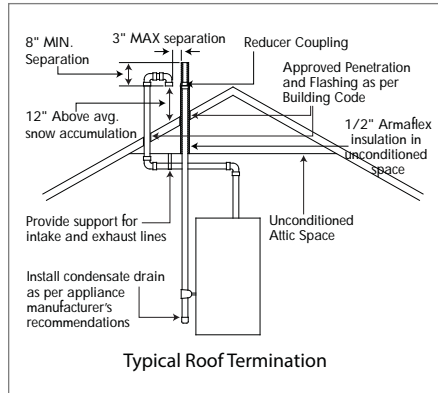


Figure 7

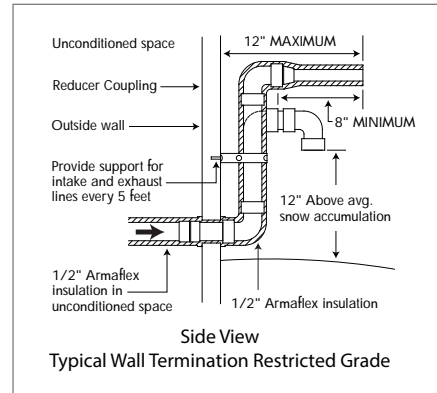
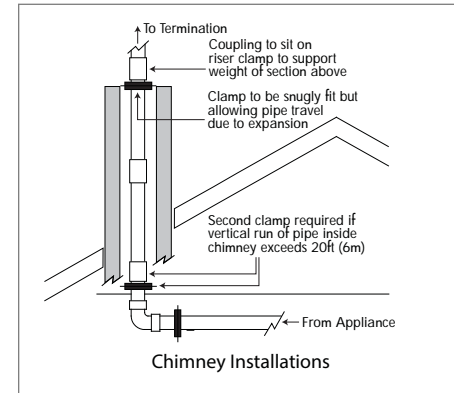


Figure 8



4. Special System Layout Considerations

All horizontal sections of the venting system must be installed with a slope not less than 20mm/m (0.25 in./ft.) down towards the appliance in order to collect condensate and remove condensate generated inside the line. Reference the appliance manufacturers' instructions regarding installation of necessary condensate drains.

IPEX considers it acceptable to install System 636 piping through an existing unused chimney space. It is suggested that installers adhere to the following guidelines when doing such installations:

- (a) Vent pipe sizing to be as per appliance manufacturers' instructions or technical manual.
- (b) Any existing vent piping should not be re-used for venting and should be replaced with System 636 Class IIA or IIB as required.

- (c) The chimney space should be cleaned prior to installation to remove any debris, creosote, or other material.
- (d) All recommended practices for solvent cementing must be observed in the same manner as regular System 636 installations.
- (e) Multiple vent pipes are permitted in one chimney space as limited by the interior available cross-sectional area. Zero clearance is permitted between multiples runs of System 636 piping or other combustibles. Refer to Figure 8.
- (f) Fresh air intakes may also be installed within existing unused chimney spaces providing acceptable spacing and clearance is obtained at the termination as per appliance manufacturer requirements.
- (g) Terminations at the exit of the chimney space shall be made using acceptable options as per appliance manufacturers' recommendations.
- (h) Vertical piping through the chimney space shall be structurally supported by use of a pipe coupling installed immediately above and sitting upon a snugly fit pipe clamp. One of these pipe coupling and pipe clamp combinations shall be installed at the entrance or exit of the chimney space to support the pipe weight. Should the pipe run exceed 60 feet (18 metres) inside the chimney space, please contact IPEX for further information.
- (i) Consideration should be given to obtaining an air-tight or water-tight seal as required at the chimney exit to prevent entry of water, snow, moisture or cold air.

5. Support and Restraint Spacing

(a) General Principles of Support

Adequate support for any piping system is a matter of great importance. In practice, support spacing is a function of pipe size, operating temperatures, the location of fittings and the mechanical properties of the pipe material.

To ensure satisfactory operation of System 636 piping, the location and type of hangers should be carefully considered.

The principles of design for steel piping systems are generally applicable to thermoplastic piping systems, but with some notable areas where special consideration should be exercised.

1. In systems where large fluctuations in temperature occur, allowance must be made for expansion and contraction of the piping system. Since changes in direction in the system are usually sufficient to allow expansion and contraction, hangers must be placed so movement is not restricted. (See also Expansion-Contraction section of this manual).
2. Changes in direction (e.g. 90° elbows) should be supported as close as practical to the fitting to avoid introducing excessive torsional stresses into the system.
3. Supports to be used on System 636 pipe shall be suitable for use on plastic pipe and shall not be tightly clamped onto the pipe to allow for possible expansion/contraction movement. Pipe clamps or hangers shall not have sharp edges or fulcrum points which might damage the System 636 pipe over time.

System 636®

- (b) System 636 PVC and CPVC systems must be supported horizontally at a maximum of every 5 feet. This maximum spacing recommendation should always be referenced against local regulatory codes, the local authority having jurisdiction, as well as the appliance manufacturer. The most restrictive requirement shall apply. Do not strap vertical vent pipe too tightly. Strapping must support the vent system while still permitting the vent to move in the event of expansion and contraction.

- (c) In order to adequately support the weight of vertical vent pipe, a pipe anchor or support shall be installed at the first floor penetration. Securely fasten pipe anchors or supports to the building structure. Pipe anchors or supports used for this purpose shall be suitable for use with plastic pipe. These anchors or supports shall be snugly fastened to the vent in order to support the weight of the vent, but shall not be allowed to deform or damage the vent. Anchors or supports supporting the weight of the vertical vent shall be in addition to the required pipe straps which are intended only to maintain the position of the vertical vent while allowing for expansion and contraction. Make certain that allowance for expansion and contraction is provided in all venting installations.

- (d) System 636 venting shall be supported with steel strapping or equivalent. Strapping shall meet the following requirements.
 - 1/2" strapping - 22 gauge steel
 - 3/4" strapping - 28 gauge steel
 - 3/4" galvanized strapping - 28 gauge steelStrapping shall be fixed to supporting structure (e.g. floor joists or cross members) using typical framing nails or screws.

- (e) System 636 pipe and fittings shall be hung at least 25mm (1") away from any supporting structure to allow for free movement due to expansion and contraction of the venting system. In certain conditions greater clearance than 25mm (1") may be required between System 636 venting and supporting structure. Always check the tables in this instruction manual to ensure adequate space is provided to accommodate expansion and contraction.

6. Expansion and Contraction

- (a) Being a thermoplastic product, System 636 has a notable capacity to expand and contract under fluctuating temperatures. Although the rates of expansion/contraction are approximately 40% less than that of ABS, installers must still be aware of this physical property of System 636 and plan to accommodate it. Typical expansion vs. temperature change values can be found in Tables 1 and 2 of this section.

- (b) To accommodate any expansion/contraction movement and stresses that may occur, IPEX suggests giving consideration to the following guidelines during installation:
 - 1. Leave adequate clearance between any System 636 bends and walls or the underside of floor boards or joists.
 - 2. Use loose fitting clamps and hangers to allow free pipe movement if required.
 - 3. For critical areas such as near the appliance outlet, two 45 bends may be considered for use in lieu of one 90 bend for more structural flexibility.

Table 1 – PVC / CPVC Linear Expansion (ΔL) in inches

Temp. change	Length of Run (ft)									
	PVC					CPVC				
(°F)	10	20	30	40	50	10	20	30	40	50
10	0.04	0.07	0.11	0.14	0.18	0.05	0.09	0.14	0.18	0.23
20	0.07	0.14	0.22	0.29	0.36	0.09	0.18	0.27	0.36	0.46
30	0.11	0.22	0.32	0.43	0.54	0.14	0.27	0.41	0.55	0.68
40	0.14	0.29	0.43	0.58	0.72	0.18	0.36	0.55	0.73	0.91
50	0.18	0.36	0.54	0.72	0.90	0.23	0.46	0.68	0.91	1.14
60	0.22	0.43	0.65	0.86	1.08	0.27	0.55	0.82	1.09	1.37
70	0.25	0.50	0.76	1.01	1.26	0.32	0.64	0.96	1.28	1.60
80	0.29	0.58	0.86	1.15	1.44	0.37	0.73	1.09	1.46	1.82
90	0.32	0.65	0.97	1.30	1.62	0.41	0.82	1.23	1.64	2.05
100	0.36	0.72	1.08	1.44	1.80	0.46	0.91	1.37	1.82	2.28

Table 2 – PVC / CPVC Linear Expansion (ΔL) in mm

Temp. Change (°C)	Length of Run (m)									
	PVC					CPVC				
	3	6	9	12	15	3	6	9	12	15
5	0.81	1.62	2.43	3.24	4.05	1.02	2.04	3.06	4.08	5.10
10	1.62	3.24	4.86	6.48	8.10	2.04	4.08	6.12	8.16	10.20
15	2.43	4.86	7.29	9.72	12.15	3.06	6.12	9.18	12.24	15.30
20	3.24	6.48	9.72	12.96	16.20	4.08	8.00	12.24	16.32	20.40
25	4.05	8.10	12.15	16.20	20.25	5.10	10.20	15.30	20.40	25.50
30	4.86	9.72	14.58	19.44	24.30	6.12	12.24	18.36	24.48	30.60
35	5.67	11.34	17.01	22.68	28.35	7.14	14.28	21.42	28.56	35.70
40	6.48	12.96	19.44	25.92	32.40	8.16	16.32	24.48	32.64	40.80
45	7.29	14.58	21.87	29.16	36.45	9.18	18.36	27.54	36.72	45.90
50	8.10	16.20	24.30	32.40	40.50	10.20	20.40	30.60	40.80	51.00

7. Firestops

Should System 636 pass through a fire rated floor or wall, the penetration shall be firestopped with a device or system listed to ULC CAN4-S115 for an F and/or FT Rating equivalent to the hour rating of the floor or wall.

8. Solvent Cementing

- (a) Installation of System 636 for the application of flue gas venting requires a certain degree of skill to avoid joint failures which could be life threatening. On-site training is available from IPEX for proper solvent welding procedures as well as other important installation points. Contact IPEX for details.
- (b) Do not use solvents or cements other than what is required by this guide. Only IPEX's System 636 PVC/CPVC Primer (purple or clear in color) shall be used for System 636 PVC or CPVC venting systems.
- (c) For assembly of System 636 PVC piping, installers may use either System 636 PVC (gray) or CPVC (orange) cements.
- (d) For assembly of System 636 CPVC piping, System 636 CPVC cement is required.
- (e) Where primer is required (see Section 8 of Basic Principles of Solvent Cementing), System 636 brand primer must be used (either purple or clear).
- (f) For transitions between PVC and CPVC, only System 636 CPVC cement shall be used. In instances where transitions to ABS are necessary, only System 636 Transition Cement shall be used. Note – some appliance furnish adapter fittings which are PVC but black in color, check with the appliance manufacturer as to whether these fittings are ABS or PVC before selecting a solvent cement.
- (g) CPVC solvent cements must not be used more than 2 years beyond the date of manufacture printed on the container. PVC solvent cements and all primers must not be used more than 3 years beyond the date of manufacture printed on the container.

Basic Principles of Solvent Cementing

To make consistently good joints, the following points should be clearly understood.

1. The joining surfaces must be softened and made semi-fluid.
2. Sufficient cement must be applied to fill the gap between pipe and fitting.
3. Assembly of pipe and fittings must be made while the surfaces are still wet and cement is still fluid.
4. Joint strength develops as the cement dries. In the tight part of the joint the surfaces will tend to fuse together; in the loose part, the cement will bond to both surfaces.

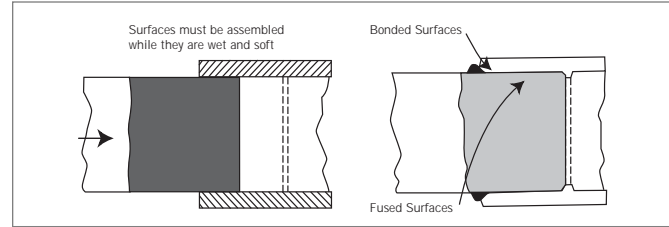
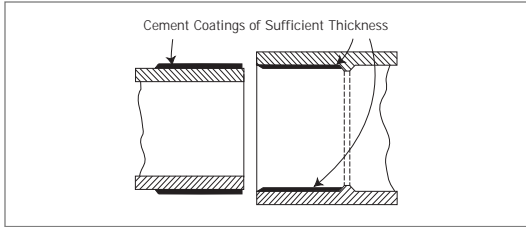
Penetration and softening can be achieved by the cement itself, by using a suitable primer, or by the use of both primer and cement. For certain materials and in certain situations, it is necessary to use a primer. A suitable primer will usually penetrate and soften the surfaces more quickly than cement alone. Additionally, the use of a primer can provide a safety factor for the installer by ensuring deeper surface penetrations for solvent welded joints and thus a stronger solvent weld.

More than sufficient cement to fill the loose part of the joint must be applied. Besides filling the gap, adequate cement layers will penetrate the surfaces and also remain wet until the joint is assembled.

If the cement coatings on the pipe and fittings are wet and fluid when assembly takes place, they will tend to flow together and become one cement layer. Also, if the cement is wet, the surfaces beneath them will still be soft and these softened surfaces in the tight part of the joint will tend to fuse together. As the solvent dissipates, the cement layer and the softened surfaces will harden with a corresponding increase in joint strength.

In the tight (fused) part of the joint, strength will develop more quickly than in the looser (bonded) part of the joint.

Solvent Cementing with Primer



(Primer is always required for 6" and 8" piping systems and for all installations performed at temperatures of 0°C or less.)

Note: Some jurisdictions have mandated the use of primer regardless of temperature. Verify with your local jurisdiction's authorities.

1. Obtain proper materials for job (proper cement and applicator for the size of piping system to be assembled).
2. Pipe must be cut as square as possible since a diagonal cut would reduce the fusing area in the most critical area of the joint.
3. A mechanical chop saw, hand saw or tubing cutter may be used to cut the pipe. However, tubing cutters may produce a raised edge on the pipe end which must be removed by a file or reamer after cutting to prevent the edge from wiping cement away inside the fitting socket during assembly.
4. After cutting, remove all burrs from both the inside and outside of the pipe with de-burring tool. Failure to remove burrs can scrape channels into pre-softened surfaces, create hang-ups inside surface walls, or inadvertently plow cement out of the joint during assembly.
5. Remove dirt, grease and moisture. A thorough wipe with a clean dry rag is usually sufficient. (Moisture will retard cure and dirt or grease can prevent adhesion).

6. Check pipe and fittings for dry fit before cementing. For proper interference fit, the pipe must go easily into the fitting 1/3 to 2/3 of the way. Should the dry fit be outside this range, do not proceed and contact the System 636 supplier for further instruction.
7. Use the right applicator for the size of pipe or fittings being joined. As a general guide, the applicator size should be equal to 1/2 the pipe diameter. It is important that a satisfactory size applicator be used to help ensure that sufficient layers of cement are applied.

Priming

8. The use of primer in the solvent cementing process is beneficial as it allows for deeper penetration of the weld after assembly. Primer is **mandatory** for usage on System 636 for installation temperatures at or **below 0°C**, and for installations of **6" and 8" CPVC** System 636 in all conditions. Certified primer is now available in either purple or clear colors.
9. Using the correct applicator (as outlined in step #7), aggressively work the primer into fitting socket, keeping the surface and applicator wet until the surface has been softened. More applications may be needed for hard surfaces and cold weather conditions. Re-dip the applicator in primer as required. When the surface is primed, remove any puddles of primer from the socket.
10. Next, aggressively work the primer on to the end of the pipe to a point 1/2" beyond the depth of the fitting socket.
11. A second application of primer in the fitting socket is recommended.
12. Immediately and while the surfaces are still wet, apply the appropriate System 636 cement.

Cementing

13. Stir the System 636 cement or shake can before using. Using the proper size applicator for the pipe size, aggressively work a full even layer of cement on to the pipe end equal to the depth of the fitting socket - do not brush it out to a thin paint type layer, as this will dry within a few seconds.
14. Aggressively work a medium layer of cement into the fitting socket; avoid puddling cement in the socket.
15. Apply a second full, even layer of cement on the pipe.
16. Without delay, while cement is still wet, assemble the pipe and fittings. Use sufficient force to ensure that the pipe bottoms in the fitting socket. If possible, twist the pipe a 1/4 turn as you insert it.
17. Hold the pipe and fitting together for a minimum of 15 seconds to avoid push out.
18. A well-assembled joint should have a ring or bead of cement completely around the juncture of pipe.
19. Using a rag or dry cloth, remove all excess wet cement outside of the pipe-fitting joint.
20. Handle newly assembled joints carefully until initial set has taken place. Follow IPEX set and cure times before handling or testing pipe system.
21. Once cure period has elapsed, joint should be pulled and twisted by hand. Should even a slight crack appear in the weld, the joint may need to be replaced.

Solvent Cementing without Primer (installation temperatures above 0°C (32°F))

Note: Some jurisdictions have mandated the use of primer regardless of temperature. Verify with the local Authority Having Jurisdiction.

1. Assemble materials needed for the installation (the proper System 636 cement and applicator for the size of pipe and fittings to be assembled).
2. Pipe must be cut as square as possible. A diagonal cut reduces bonding area in the most effective part of the joint.
3. Remove all burrs from both inside and outside of the interference fit, the pipe must go easily into the fitting 1/3 to 2/3 of the way, but not bottom.
4. Check for penetration and softening of the pipe's surface. Take a scrap piece of the pipe you will be using and make a normal application of the cement. Then immediately, using a knife or other sharp object, try to scratch or scrape a few thousandths of the surface away. If you are able to do so, proceed with installation. If not, try making a more aggressive application of the cement on the scrap piece of pipe and check for penetration as noted above. If you are still unable to achieve penetration or softening of the pipe's surface, you may want to consider the use of a primer.
5. Using the correct size applicator (1/2 the pipe diameter), aggressively work solvent cement on the end of the pipe equal to the depth of the fitting socket.
6. Next, aggressively work cement into fitting socket being careful not to get cement beyond the socket.
7. Then apply a second layer of cement on to the end of the pipe equal to the depth of the fitting socket.

System 636[®]

8. Immediately and while the surfaces are still wet, assemble the pipe and the fitting using sufficient force to ensure that the pipe bottoms into the fitting socket. If possible, twist the pipe a 1/4 turn as you insert it.
9. Hold the pipe and fitting together for approximately 30 seconds to eliminate push out.
10. A well-assembled joint should have a ring or bead of cement completely around the juncture of pipe.
11. Using a rag or dry cloth, remove all excess wet cement outside of the pipe-fitting joint.
12. Follow IPEX recommended set and cure times before handling or testing the piping system.
13. Once cure period has elapsed, joint should be pulled and twisted by hand. Should even a slight crack appear the joint must be replaced.

Set/Cure Times and Required Quantities of Cement

Set and Cure time for flue gas venting applications only.

Set Time	5 min	10 min	15 min	Sizes 1-1/2" to 2"
	30 min	1 hr	24 hrs	Sizes 2-1/2" to 8"
C				
F				
Cure Time	15 min	20 min	1 hr	Sizes 1-1/2" to 2"
	1 hr	2 hrs	48 hrs	Sizes 2-1/2" to 8"

Note: Initial set schedule is the necessary time to allow before the joint can be carefully handled.

Note: Joint cure schedule is the necessary time to allow before commissioning the system. In damp or humid weather allow 50% more cure time.

** These figures are estimates based on laboratory tests. Due to the many variables in the field, these figures should be used as a general guide only.

Joining Plastic Pipe in Hot Weather

Solvent cements for plastic pipe contain high-strength solvents which evaporate faster at elevated temperatures. This is especially true when there is a hot wind blowing. If the pipe is stored in direct sunlight, the pipe surface temperatures may be from 10°C to 15°C (20°F to 30°F) higher than the ambient temperature. Solvents soften these hot surfaces faster and deeper, especially inside a joint. Therefore, it is very important to avoid puddling the cement inside the fitting socket and to wipe off any excess cement outside the joint.

Tips to Follow when Solvent Cementing in High Temperatures:

- Store solvent cements and primers in a cool or shaded area prior to use.
- If possible, store fittings and pipe or at least the ends to be solvent welded, in a shady area before cementing.
- Cool surfaces to be joined by wiping with a damp rag. Make sure that the surface is dry prior to applying solvent cement.
- Try to do the solvent cementing in cooler morning hours.
- Make sure that both surfaces to be joined are still wet with cement when putting them together.

Joining Plastic Pipe and Fittings in Cold Weather

For installation temperatures 0°C (32°F) or less, the use of System 636 PVC/CPVC Primer is required.

Note: Some jurisdictions have mandated the use of primer regardless of temperature. Verify with the local Authority Having Jurisdiction.

By following our standard instructions and using a little extra care and patience, successful solvent cemented joints can be made at temperatures even as low as -26°C (-15°F). In cold weather, solvents penetrate and soften the plastic pipe and fitting surfaces more slowly than in warm weather. Also the plastic is more resistant to solvent attack. Therefore it becomes even more important to pre-soften surfaces with System 636 primer. And, because of slower evaporation, a longer cure time is necessary.

Requirements when Solvent Cementing during Cold Weather:

- Prefabricate as much of the system as is possible in a heated work area.
- Store cements and primers in a warmer area when not in use or between joints to ensure they remain fluid (No less than 5°C (41°F)).
- Take special care to remove moisture including ice and snow from the surfaces to be joined.
- Use only System 636 Primer to soften the joining surfaces before applying cement. More than one application may be necessary.
- Allow a longer cure period before the system is used. A heat blanket may be used to speed up the set and cure times.
- Read and follow all of our directions carefully before installation.
- Any grouting of the pipe must be done after the appliance has been running for 2 hours, this will avoid unnecessary stress on the new joints due to expansion.

IPEx System 636 cement products are formulated to have well balanced drying characteristics and to have good stability in sub-freezing temperatures.

For all practical purposes, good solvent cemented joints can be made in very cold conditions with proper care and common sense.

Average Number of Joints/Qt. of IPEX System 636 Cement*

Pipe Diameter (inches)	1-1/2	2	3	4	6	8
Number of Joints	90	60	40	30	10	5

*These figures are estimates based on our laboratory tests. Due to the many variables in the field, these figures should be used as a general guide only.

**Primer requirements would be half of those for cements.

Helpful Hints

A properly cemented joint is the most critical part for a successful installation of plastic venting systems. Here is a list of important points to remember for solvent cementing:

1. Have you reviewed all of the instructions on the System 636 cement container label?
2. Are you using the proper System 636 cement for the job...for the type and size of pipe and correct fittings to be joined?
3. Do you need to take special precautions because of the unusual weather conditions?
4. Do you have the proper tools and sufficient quantities of System 636 cements and primer, and is the cement in good condition?
5. Be sure to use a large enough applicator to quickly spread cement generously on pipe and fittings and then assemble immediately.
6. Avoid puddling excess cement inside the socket.
7. Be aware at all times of good safety practices. Solvent cements for pipe and fittings are flammable, so there should be no smoking or other sources of heat or flame in working or storage areas. Be sure to work only in a well ventilated space and avoid unnecessary skin contact with all solvents. More detailed safety information is available from IPEX.

Safety Precautions

All solvent cements and primers for plastic pipe are flammable and should not be used or stored near heat, spark, open flames and other sources of ignition. Vapors may ignite explosively. Keep containers closed when not in use and covered as much as possible when in use. Use in well ventilated area. If confined or partially enclosed, use forced ventilation or NIOSH-approved respirator. Avoid breathing vapors. Atmospheric levels should be maintained below established exposure limits contained in the product's Material Safety Data Sheet. If airborne concentrations exceed those limits, use of NIOSH-approved organic vapor cartridge with full face piece is recommended. The effectiveness of an air purifying respirator is limited. Use it only for a single, short term exposure. For emergency and other conditions where short-term exposure guidelines may be exceeded, use an approved positive pressure self-contained breathing apparatus. Do not smoke, eat or drink while using these products. Avoid contact with skin, eyes and clothing. Wash clothing if contaminated before re-use. May cause eye injury. Protective equipment such as gloves, goggles and an impervious apron should be used. Keep out of reach of children. Carefully read our Material Safety Data Sheets and follow all precautions.

First Aid

Inhalation: If feeling illness from inhalation, person should be moved to a source of fresh air. If not breathing, give artificial respiration. If breathing is difficult, give oxygen. Call a physician.

Eye Contact: Flush with plenty of water for 15 minutes and call a physician.

Skin Contact: Wash skin with plenty of soap and water for at least 15 minutes. If irritation develops, get medical attention.

Ingestion: If swallowed give 1 to 2 glasses of water or milk, DO NOT INDUCE VOMITING. Contact physician immediately.

Use Caution with Welding Torches

At construction sites where plastic pipe is being installed or has recently been solvent welded, extreme caution should be taken when using welding torches or other equipment where sparks may be involved. Flammable vapors from cemented joints sometimes linger within or around a piping system for some time.

Special care must be taken when using a welding torch around plastic pipe systems in industrial plant areas with little or no air circulation. In all cases, solvent vapors must be removed by air circulation, purging, or other means prior to the use of welding torches, or other spark or flame generating equipment or procedures.

Storage and Handling of System 636 Cement and Primer

Store System 636 cement and primer in the shade between 4°C (40°F) and 43°C (110°F) or as specified on label. Keep away from heat, spark, open flame and other sources of ignition. Keep container closed when not in use. If the unopened container is subjected to freezing, it may become extremely thick or gelled. This cement can be placed in a warm area, where after a period of time, it will return to its original, usable condition. But such is not the case when gelatin has taken place because of actual solvent loss—for example, when the container was left open too long during use or not properly sealed after use. Cement in this condition should not be used and should be properly discarded.

IPEX solvent cements are formulated to be used “as received” in original containers. Adding thinners or primers to change viscosity is strictly prohibited. If the cement is found to be jelly-like and not free flowing, it should not be used.

9. Handling and Storage of System 636 Pipe and Fittings

- (a) PVC and CPVC are strong, lightweight materials, about one fifth the weight of steel or cast iron. Piping made of this material is easily handled and, as a result, there is potential for them to be thrown about on the jobsite. Care should be taken in handling and storage to prevent damage to the pipe.

PVC and CPVC pipe should be given adequate support at all times. It should not be stacked in large piles, especially in warm temperature conditions, as bottom pipe may become distorted and joining will become difficult.

For long-term storage, pipe racks should be used, providing continuous support along the length. If this is not possible, timber supports of at least 3" bearing width, at spacings not greater than 3' centers, should be placed beneath the piping. If the stacks are rectangular, twice the spacing at the sides is required. Pipe should not be stored more than seven layers high in racks. If different classes of pipe are kept in the same rack, pipe with the thickest walls should always be at the bottom. Sharp corners on metal racks should be avoided.

For temporary storage in the field when racks are not provided, care should be taken that the ground is level and free of sharp objects (i.e. loose stones, etc.). Pipe should be stacked to reduce movement, but should not exceed three to four layers high.

Since the soundness of any joint depends on the condition of the pipe end, care should be taken in transit, handling and storage to avoid damage to these ends. The impact resistance and flexibility of PVC and CPVC piping are reduced as temperatures approach 0°C (32°F) and below. Care should be taken when unloading and handling pipe in cold weather. Dropping pipe from a truck or forklift may cause damage. Methods and techniques normally used in warm weather may not be acceptable at the lower temperature range.

When loading pipe onto vehicles, care should be taken to avoid contact with any sharp corners (i.e. angle irons, nail heads, etc.), as the pipe may be damaged.

While in transit, pipe should be well secured and supported over the entire length and should never project unsecured from the back of a trailer.

b) Prolonged Outdoor Exposure

Prolonged exposure of PVC and CPVC pipe to the direct rays of the sun will not damage the pipe. However, some mild discoloration may take place in the form of a milky film on the exposed surfaces. This change in color merely indicates that there has been a harmless chemical transformation at the surface of the pipe. A small reduction in impact strength could occur at the discolored surfaces but they are of a very small order and are not enough to cause problems in field installation.

(c) Protection – Covering

System 636 PVC and CPVC pipes are packaged in crates and wrapped in protective plastic film, which protects from UV and keeps the pipe clean. Discoloration of exposed pipe can be avoided by shading it from the direct rays of the sun. This can be accomplished by covering the stockpile or the crated pipe with a light colored opaque material such as canvas. If the pipe is covered, always allow for the circulation of air through the pipe to avoid heat buildup in hot summer weather. Make sure that the pipe is not stored close to sources of heat such as boilers, steam lines, engine exhaust outlets, etc.

(d) System 636 gas venting systems should not be painted. Identification of product material and certifications must be visible for maintenance and inspection purposes.

10. Statement of the Bases for Acceptance

The acceptance of any gas-fired appliance using IPEX System 636 PVC or CPVC Venting Systems is strictly predicated on the following conditions:


- Condition No. 1 Only System 636 PVC or CPVC components supplied for the job have been used in the installation, with no unauthorized substitutions.
- Condition No. 2 The system has been installed in accordance with CSA B149.
- Condition No. 3 The appliance manufacturer's instructions have been followed.
- Condition No. 4 IPEX's System 636 installation recommendations have been observed.
- Condition No. 5 All installations must be done in full compliance of local Building and Fire Codes.

11. Maintenance


IPEX recommends that gas appliances using System 636 gas venting system be checked during any regular maintenance activities as required for the gas-fired appliance.

These recommendations were issued from September 2013, and are subject to periodic review.

IPEX Inc.
2441 Royal Windsor Drive,
Mississauga, Ontario, Canada, L5J 4C7

 **WARNING**

AIR/GAS



- NEVER use compressed air or gas in PVC/CPVC pipe and fittings.
- NEVER test PVC/CPVC pipe and fittings with compressed air or gas, or air-over-water boosters.

Use of compressed air or gas in PVC/CPVC pipe and fittings can result in explosive failures and cause severe injury or death.

