

Submittal Data

PROJECT:	UNIT TAG:	QUANTITY:
REPRESENTATIVE: _____	TYPE OF SERVICE:	DATE: _____
ENGINEER:	SUBMITTED BY:	DATE:
CONTRACTOR:	APPROVED BY:	DATE:
	ORDER NO.:	DATE:

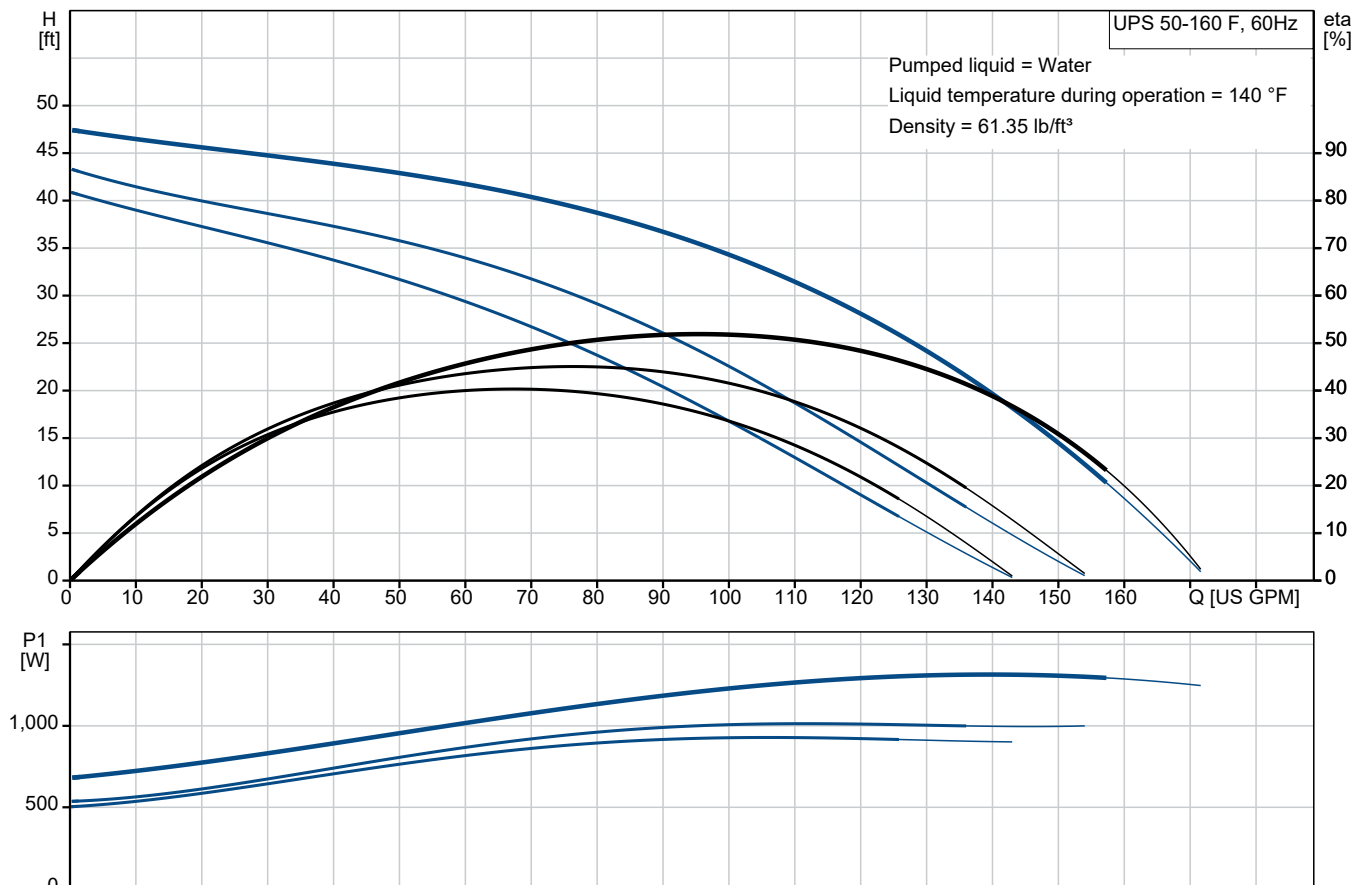


UPS 50-160 F

UPS is a three-speed circulator pump designed for heating and air-conditioning systems and is also used for central and district heating systems. The pump provides reliable and maintenance-free operation.

Note! Product picture may differ from actual product

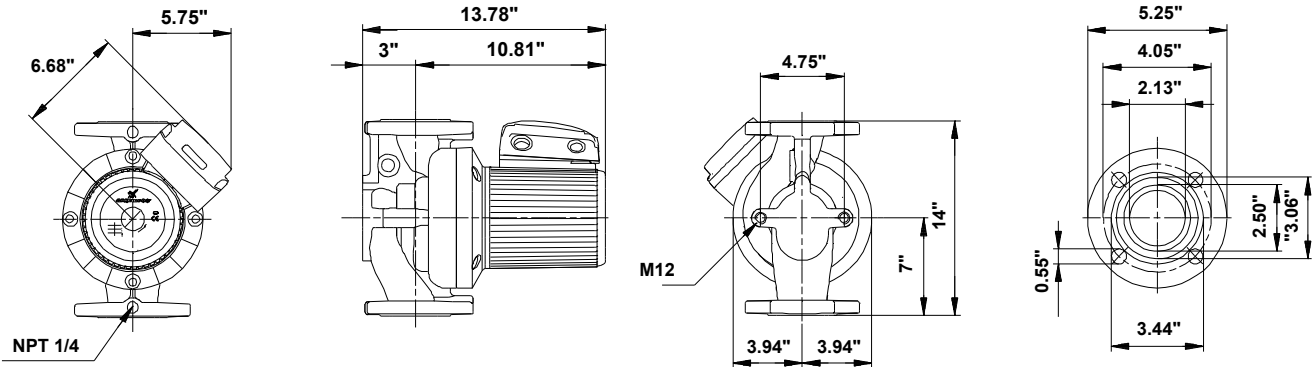
Conditions of Service		Pump Data		Motor Data	
Liquid:	Water	Liquid temperature range:	14 .. 248 °F	Max. power input:	1300 W
Temperature:	140 °F	Maximum ambient temperature:	104 °F	Rated voltage:	208-230 V
Specific Gravity:	0.985	Pipe connection:	GF 50	Mains frequency:	60 Hz
		Product number:	96402860	Enclosure class:	IPX4D
				Thermal protection:	external



Submittal Data

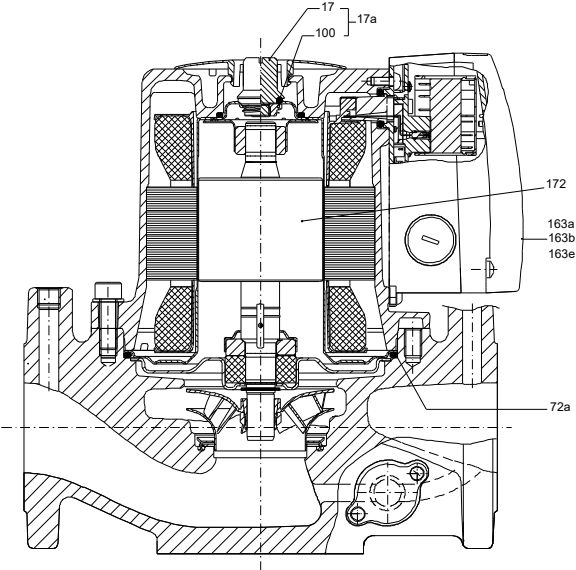
4

3



Materials:

- Pump housing: Cast iron
- ASTM 35B-40B
- Impeller: Stainless steel
- AISI 304
- EN 1.4301





Company name:

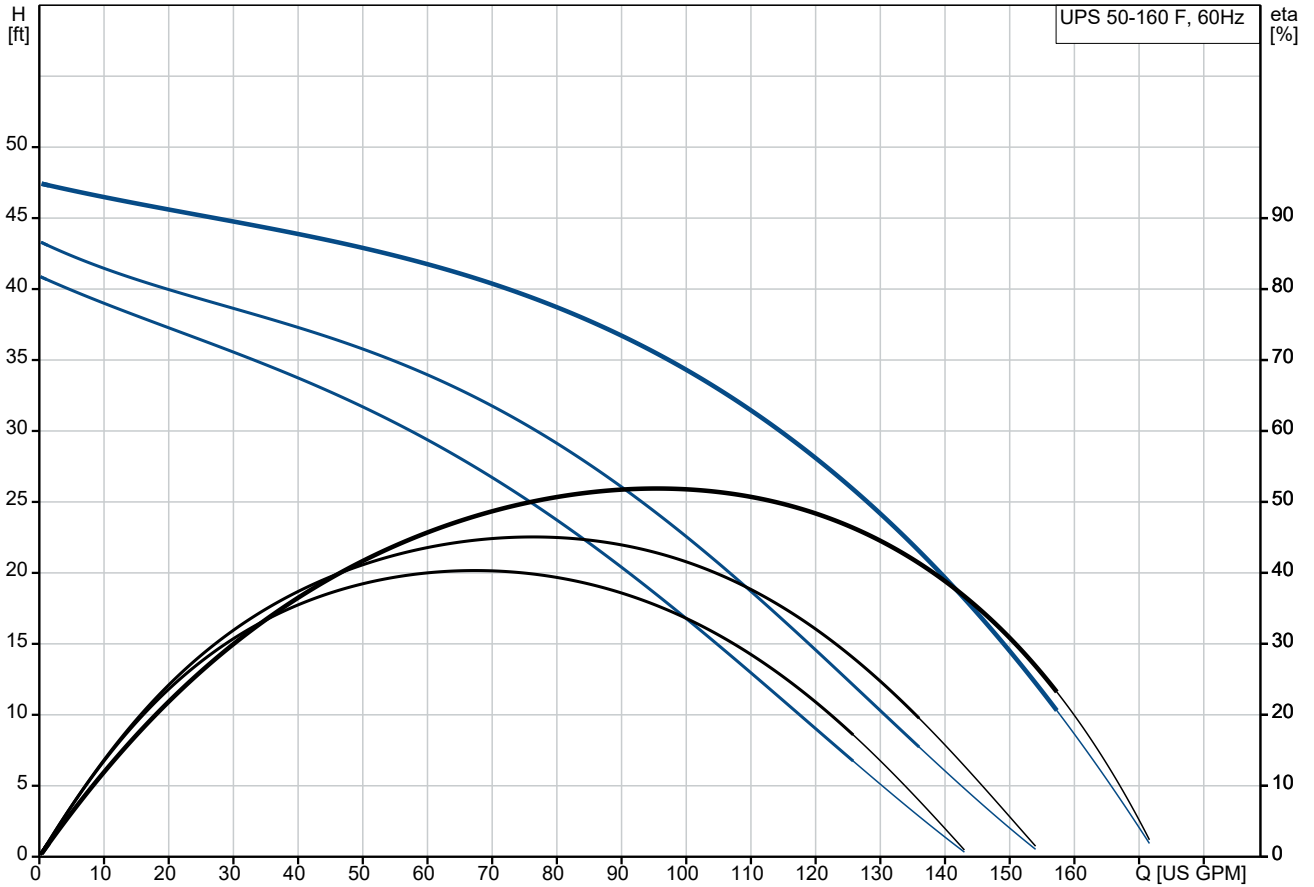
Created by:

Phone:

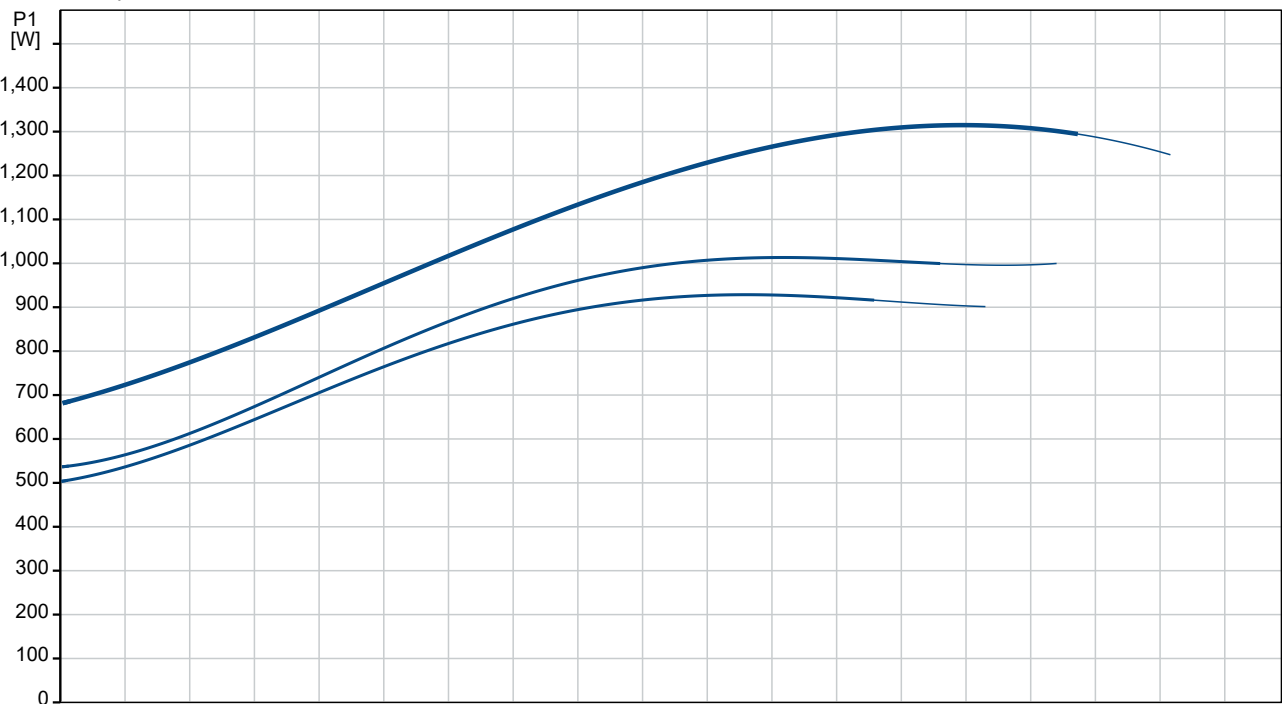
Date:

26/03/2026

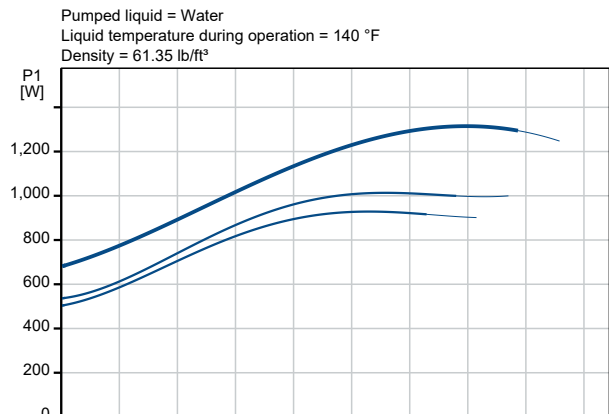
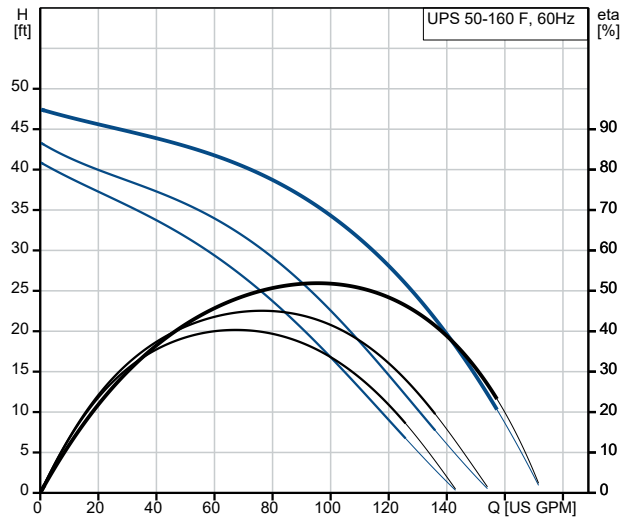
96402860 UPS 50-160 F 60 Hz



Pumped liquid = Water
Liquid temperature during operation = 140 °F
Density = 61.35 lb/ft³



Description	Value
General information:	
Product name:	UPS 50-160 F
Product No:	96402860
EAN number:	5700390684150
Price:	
Technical:	
Speed no:	3
Maximum head:	52.5 ft
Approvals:	CCSAUS
Model:	C
Materials:	
Pump housing:	Cast iron
	EN 1561 EN-GJL-250
	ASTM 35B-40B
Impeller:	Stainless steel
	EN 1.4301
	AISI 304
Installation:	
Range of ambient temperature:	32 .. 104 °F
Maximum operating pressure:	145.04 psi
Type key, code for pipework connection:	F
Pipe connection standard:	USA
Type of connection:	DIN
Pipe connection:	GF 50
Pressure rating for connection:	PN 10
Port-to-port length:	14 in
Terminal box position:	1.30H
Connect code:	F
Liquid:	
Pumped liquid:	Water
Liquid temperature range:	14 .. 248 °F
Selected liquid temperature:	140 °F
Density:	61.35 lb/ft³
Electrical data:	
Power input in speed 1:	1.274 HP
Power input in speed 2:	1000 W
Max. power input:	1300 W
Mains frequency:	60 Hz
Rated voltage:	3 x 208-230 V
Current in speed 1:	2.75 A
Current in speed 2:	3 A
Current in speed 3:	4 A
Cos phi in speed 1:	0.87
Cos phi in speed 2:	0.84
Cos phi:	0.82
Enclosure class (IEC 34-5):	IPX4D
Insulation class (IEC 85):	H
Ex-protection standard:	CONTACT
Thermal protec:	external
Winding resistance:	12.4 - 16.2 Ohm
Controls:	
Relay:	without relay
Terminal box position:	1.30H
Others:	
Net weight:	55.8 lb
Gross weight:	68.4 lb
Shipping volume:	3.46 ft³





Company name:

Created by:

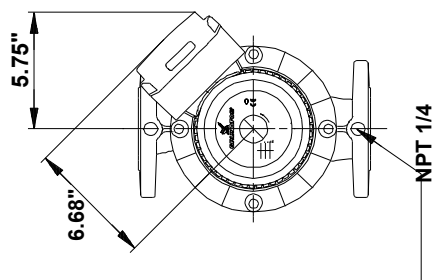
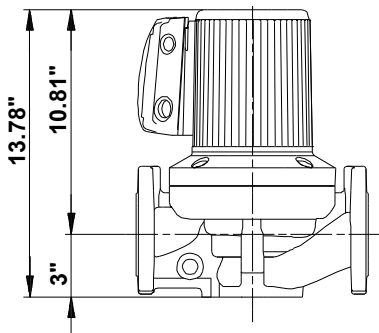
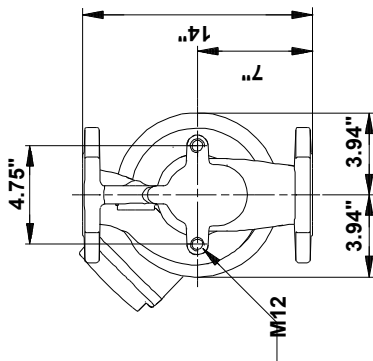
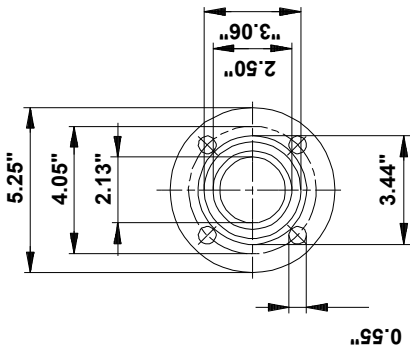
Phone:

Date:

26/03/2026

Description	Value
Country of origin:	RS
Custom tariff no.:	8413.70.00.21

96402860 UPS 50-160 F 60 Hz



Note! All units are in [in] unless others are stated.
Disclaimer: This simplified dimensional drawing does not show all details.