

IMPORTANT – LEAVE THESE INSTRUCTIONS WITH THIS UNIT



HYDROLUX ACRYLIC DROP-IN BATHTUB INSTALLATION INSTRUCTIONS

GENERAL INFORMATION

- HYDROLUX bathtubs are designed with the floor of the tub as the weight carrier, and it is heavily reinforced for this purpose. The rim of the bath is not designed to carry weight, nor must the tub be suspended from the rim; similarly, any finishing materials that touch or overlap the tub must be fully supported.
- Floor support under the whirlpool must provide for a minimum loading of 50 lbs./square foot (244 Kg./square meter).
- To ensure proper drainage, the tub must be levelled along the top edges, both lengthways and sideways. This can be done by inserting wood shims (not supplied) under the levelling pads on the bottom of the tub.
- A cut-out in the floor will be required to accommodate the waste fitting, as it will project below floor level.
- Most HYDROLUX bathtubs are installed in an island setting.
- **Where the bathtub is being installed against a wall, it is a CSA requirement that the optional Flange Kit is used on all models except the AC5454.** The AC5454 can be installed without a flange kit as long as the tub is sealed to the walls. This HYTEC FLANGE KIT is designed to provide the installer with a neat and secure method of fastening the HYDROLUX bath against a wall, be it on one, two, or three sides of the tub. The unique extrusions attach to the edge of the tub are screwed to the framing, and act as an additional support for drywall or wood finishes, and prevents water leakage. Not available on oval shaped tubs.

WHIRLPOOL \ BUBBLEAIR™ INSTALLATION INSTRUCTIONS

WARNING! When using electrical products, basic precautions should always be followed, including the following:

DANGER: RISK OF ELECTRIC SHOCK. Grounding is required. The unit should be installed by a qualified service representative. An equipment grounding terminal is provided in the field wiring compartment. To reduce the risk of electric shock, this terminal must be connected to the grounding means provided in the electric supply panel with a conductor equivalent in size to the circuit conductors supplying this equipment. The wiring must be installed by a qualified electrician and in compliance with all applicable National, State, or Provincial Electrical Code requirements, through a ground-fault circuit-interrupter (GFCI) of the Class A type.

An independent branch circuit c/w GFCI is required for each of the following options:

3 Whirlpool Pump Options: 120V – 60Hz – Max AMP Draw 8.5A Key pad or air button controlled
BubbleAir Blower: 120V – 60Hz – 9.5A Key pad controlled
Heater: 120V – 60Hz – 12.5A Flow switch controlled inside Heater

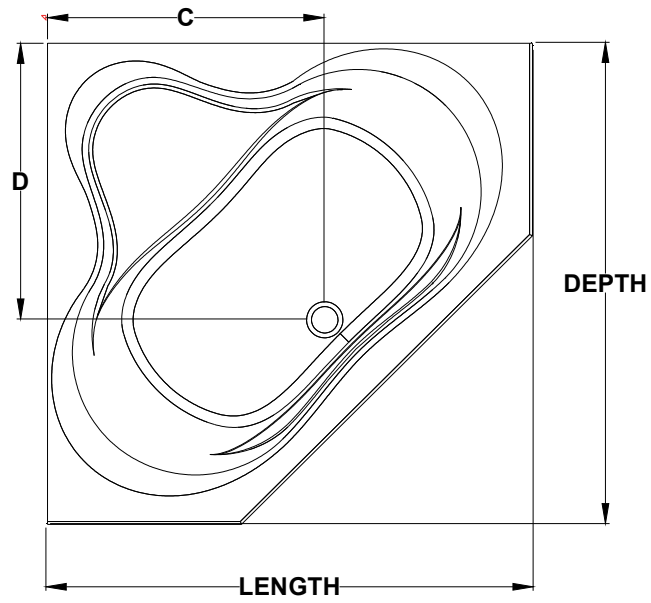
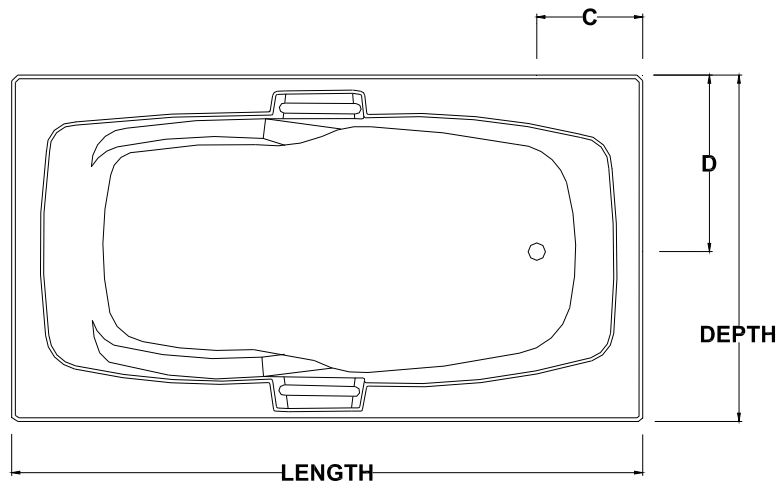
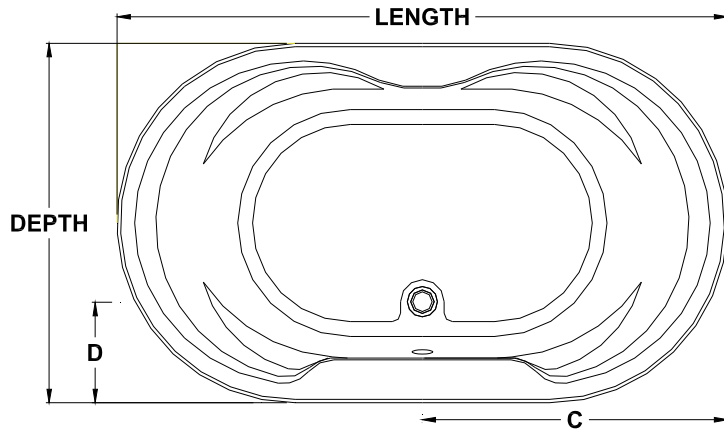
ALWAYS INSTALL TO PERMIT ACCESS FOR SERVICING.

WARNING:

- Pumps must be installed on the factory provided mountings to ensure correct height for priming and draining.
- Access to the pump and electrical components must be provided to allow for installation and maintenance. Access must be provided. (*Recommended size 9 ½"x18"*)
- Do not lift by any of the plumbing or electrical components. Handle carefully to avoid damage to pump, piping or fittings, or electrical components.
- All units are factory tested for operation and leaks, but **must** be checked for leaks, etc. before being finally closed in, or tiled.
- Before filling the tub for the first time, remove all construction waste and foreign materials.
- Rinse the tub out with clean water before activating the pump, to avoid introducing contamination or grit into the piping and pump.
- Building materials and wiring should be routed away from the pump body or other heat-producing components.
- When installing in an island setting some whirlpool models may require you to tip the unit from side to side tucking the plumbing under the decking one side at a time.

PRODUCT DIMENSIONS Measurement tolerances $\pm 1/4"$ (6.3mm)

PRODUCT	MODEL	LENGTH	DEPTH	HEIGHT	C	D
RETANGULAR (End Drain)	AC150	59 3/4" (1518mm)	32 1/8" (816mm)	18 1/4" (464mm)	8" (203mm)	16 1/16" (408mm)
	AC250	66" (1676mm)	36" (914mm)	20 7/8" (530mm)	11 1/4" (286mm)	18" (457mm)
	AC350	71 5/8" (1819mm)	36" (914mm)	20 7/8" (530mm)	11 3/4" (298mm)	18" (457mm)
	AC550	60" (1524mm)	42" (1067mm)	18 1/4" (464mm)	9 1/2" (241mm)	21" (533mm)
	AC566	66" (1676mm)	42" (1067mm)	19 1/2" (495mm)	10 1/2" (267mm)	21" (533mm)
	AC642	72" (1829mm)	42" (1067mm)	20 7/8" (530mm)	11 1/2" (292mm)	21" (533mm)
	AC739	60" (1524mm)	36" (914mm)	20" (508mm)	9 1/4" (235mm)	18" (457mm)
	AC749	66" (1676mm)	36" (914mm)	20" (508mm)	9 1/4" (235mm)	18" (457mm)
	AC750	59 3/4" (1518mm)	36" (914mm)	20 5/8" (524mm)	11 1/4" (286mm)	18" (457mm)
	AC759	72" (1829mm)	36" (914mm)	20" (508mm)	9 1/4" (235mm)	18" (457mm)
	AC769	60" (1524mm)	42" (1067mm)	20" (508mm)	9 1/2" (241mm)	21" (533mm)
	AC779	66" (1676mm)	42" (1067mm)	20" (508mm)	9 1/2" (241mm)	21" (533mm)
	AC789	72" (1829mm)	42" (1067mm)	20" (508mm)	9 1/2" (241mm)	21" (533mm)
	AC3617	60 1/4" (1530mm)	32 1/8" (816mm)	19" (483mm)	10 3/16" (259mm)	16 1/16" (408mm)
RETANGULAR (Centre Drain)	AC3618	66" (1676mm)	32" (813mm)	20" (508mm)	33" (838mm)	8 3/4" (222mm)
	AC3620	72" (1829mm)	32" (813mm)	20" (508mm)	36" (914mm)	8 3/4" (222mm)
	AC7257	72" (1829mm)	42" (1067mm)	21" (533mm)	36" (914mm)	11 3/8" (289mm)
	AC3985	71 13/16" (1824mm)	35 15/16" (913mm)	25" (635mm)	35 7/8" (911mm)	17 15/16" (456mm)
OVAL (End Drain)	AC3466	66" (1676mm)	34" (864mm)	18 1/4" (464mm)	8 3/4" (222mm)	17" (432mm)
	AC3666	65 3/8" (1661mm)	36" (914mm)	19 1/2" (495mm)	10 1/2" (267mm)	18" (457mm)
	AC7207	71 3/4" (1822mm)	36 7/8" (937mm)	21 1/4" (540mm)	11" (279mm)	18 7/16" (468mm)
OVAL BATH (Centre Drain)	AC6649	66" (1676mm)	41 1/8" (1045mm)	23 1/4" (591mm)	33" (838mm)	9 1/2" (241mm)
	AC3995	65 7/8" (1673mm)	36" (914mm)	25" (635mm)	32 15/16" (938mm)	18" (457mm)
	AO7242	71 5/8" (1819mm)	41 1/2" (1054mm)	23" (584mm)	36" (914mm)	11 1/4" (286mm)
CORNER BATH	AC5454	53 7/8" (1368mm)	53 7/8" (1368mm)	21 7/16" (545mm)	28 1/4" (718mm)	28 1/4" (718mm)
	AC6060	60" (1524mm)	60" (1524mm)	20" (508mm)	33" (838mm)	33" (838mm)
	AC6086	60" (1524mm)	60" (1524mm)	21" (533mm)	35" (889mm)	35" (889mm)



USER CARE & MAINTENANCE INSTRUCTIONS

The following hints on care and maintenance are offered to assist you in keeping your tub or shower in "as new" condition.

Normal Care:

A quick sponge-down with warm water and a liquid detergent such as Mr. Clean, Fantastic, or Lysol Tub and Tile Cleaner will take care of most cleaning needs. In areas where the water is hard, more frequent cleaning will be necessary to avoid a build up on the surface. We recommend that a good quality car or boat wax be applied occasionally – this will preserve the gloss and will make cleaning easier.

Stains:

For stubborn stains, start with a liquid detergent; if this does not work, try a mild powder detergent such as Spic and Span, which also works well for removing heavy soap film. Cleaning pads made of nylon, saran or polyethylene and containing no abrasives may be used. **Do not use abrasive scouring powders or metal scouring pads – they can permanently damage the finish.** A mild abrasive action can be accomplished with an automobile type of rubbing compound – there are several types available, both coarse and fine. The fine ones take a little longer to remove a stain, but they do not dull the surface as much.

Dull Areas:

Should your stain removal result in a dull area, the shine can be restored with an automobile cleaner wax, such as Turtle Wax.

Paint Splashes:

A quick wipe with mineral spirits, turpentine or Polyclens and then a wash with water will remove paint. **Do not use paint remover or stripper, as these contain solvents which could permanently damage the surface.**

Things to Avoid:

Sand and grit. Dropped tools.

Damage:

Should your unit suffer accidental damage, it is quite possible that it can be repaired by a qualified repairperson. Consult your plumber, wholesaler or a Hytec Sales Agent.

WARNING! Any problems or damage to jetting or electrical components should be performed by a qualified service representative.



LIMITED 5 YEAR WARRANTY

All acrylic and gelcoat products manufactured by Hytec are covered by a 5-year warranty from the date of sale to the original owner. This warranty does not cover materials and component parts manufactured by others (such as pumps, jets, pipes, and fittings), which are subject to warranties offered by their original manufacturers. Hytec Plumbing Products warrants to the purchaser of each Hytec product that such product will at time of sale be free from defect in material and workmanship, and that Hytec will at its option repair the original unit or supply an equivalent unit in exchange, such exchange to be F.O.B. at Hytec warehouse. Hytec shall not be responsible for shipping, handling, or installation damage; or any expense of removal, transportation or installation of any original or exchange unit. Under no circumstances will Hytec Plumbing Products assume liability for consequential damages or labour charges resulting therefrom.

This warranty is non-transferable and shall be voided if the unit is removed from its place of initial installation, or is not installed in accordance with the manufacturer's instructions. Further, this warranty does not apply if the unit has been subjected to accident, abuse, misuse, damage caused by flood, fire or act of God, or if the unit or the plumbing fixtures used in connection with it are not installed in compliance with local codes and ordinances. Any modifications or alterations to a unit, without prior authorization from Hytec Plumbing Products, or the installation of therapy jets by anyone other than Hytec Plumbing Products, will void all warranties.

HYTEC'S LIMITED WARRANTY OBLIGATIONS ARE EXPRESSLY LIMITED TO THOSE SET FORTH HEREIN, AND ARE IN LIEU OF ALL OTHER WARRANTIES, EXPRESSED OR IMPLIED. THE LIABILITY OF HYTEC TO THE BUYER WITH RESPECT TO THE SALE OF A UNIT SHALL BE LIMITED TO REPAIR OR REPLACEMENT AS PROVIDED HEREIN TO A MAXIMUM OF THE PURCHASE PRICE OF THE RELEVANT UNIT AND DOES NOT INCLUDE ANY COST OF REMOVAL OR REINSTALLATION OR CONSEQUENTIAL DAMAGES OF ANY KIND.

To obtain warranty service, contact Hytec Customer Service at **(800) 871-8311** or **(250) 546-3067**, or email hytec.customer.service@kohler.com. Please have ready all pertinent information regarding your claim, including a complete description of the problem, the product, model number, serial number and a copy of your original invoice. If the serial number is not available, please provide a digital photo of the unit.

Authorized Service Representatives for Hytec have been thoroughly trained to perform both in and out of warranty repairs to Hytec products. Through this training, they are familiar with the Hytec Warranty Policy. If in the opinion of the Authorized Service Representative, the service required is not within the scope of the Hytec Warranty Policy, they will advise you before beginning the work. Should this occur, payment of all invoices related to the service is the responsibility of the consumer. If the problem can be attributed to incorrect installation please contact your installing contractor. Should there be a difference of opinion pertaining to warranty coverage between the Authorized Service Representative and the consumer; clarification will be provided by Hytec Customer Service.

HYTEC PLUMBING PRODUCTS
(Division of Kohler Canada Co.)
4150 Spallumcheen Drive
Armstrong, BC V0E 1B6
Phone (250) 546-3067 • Fax (250) 546-3170

Saskatoon	(306) 244-6622
Edmonton	(780) 451-2056
Calgary	(403) 730-7791
Vancouver	(604) 856-5648
Winnipeg	(204) 832-2354
Regina	(306) 525-1986