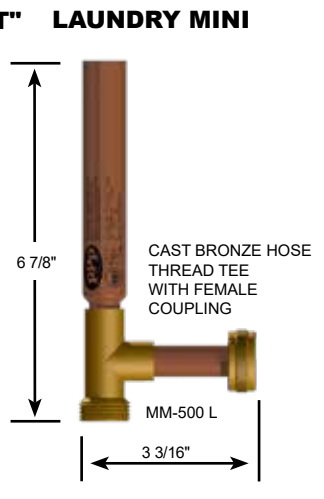
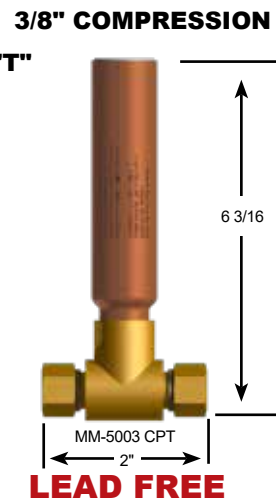
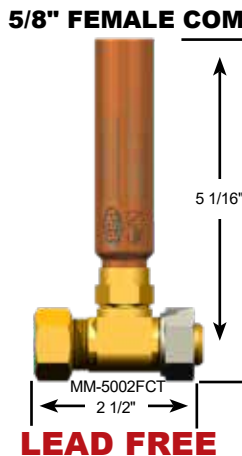
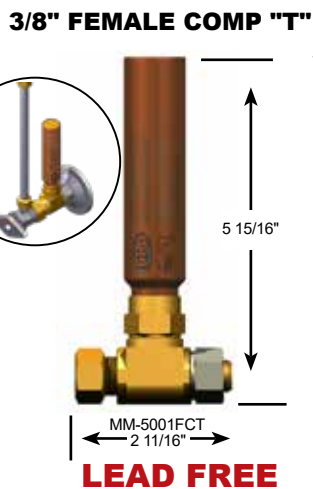
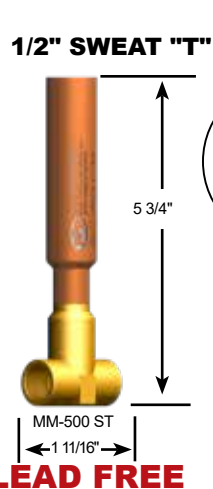
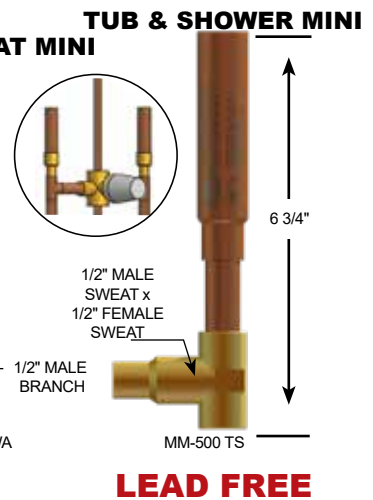
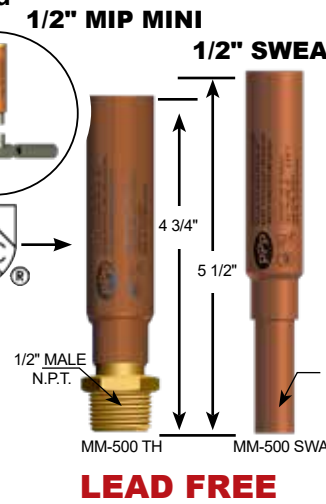
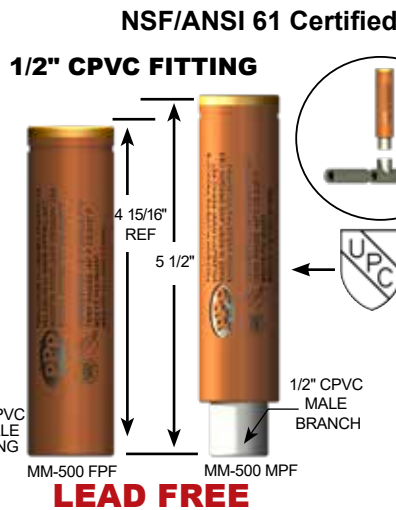
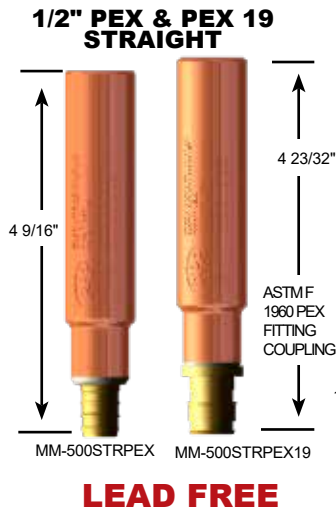
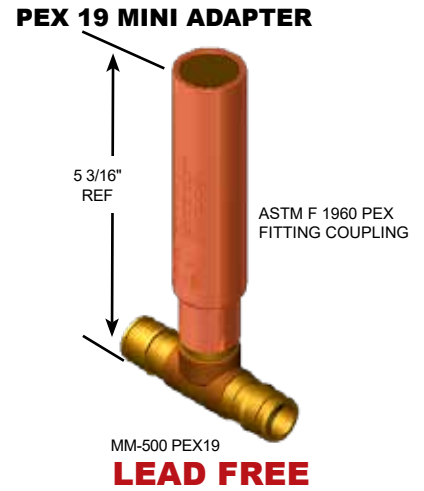




**Precision Plumbing Products**  
*"Specify with Confidence - Install with Pride"*

**MINI - MAX  
 "AA" WATER HAMMER ARRESTOR**

www.pppinc.net



## SPECIFICATIONS LAUNDRY BOX OR ICE MAKER BOX WITH ARRESTORS

**MAINTENANCE:** Maintenance free – the piston is the only moving part.  
**TEMPERATURE RANGE:** 32°F to + 212°F (0°C to + 100°C)  
**CONSTRUCTION:** Barrel-fabricated of type “L” hard drawn copper.  
**Cap:** Machined of free turning brass.  
**Piston:** Polycarbonate Dow Calibre 2061-15 MFR.  
**Seals:** “O”rings: EPDM.  
**Seal Lubricant:** Dow-Corning Silicone Compound #111, FDA listed for use in potable water systems.  
**OPERATING PRESSURE:** Designed to operate on all domestic and commercial systems. Normal operating pressure 35 to 125 PSIG. Max Spike pressure 250 PSIG.

**LEAD FREE**  
 MM-500 PIMBFR  
 1/2" FEMALE  
 SWEAT x 1/4" COMP

MM-500 PLBFR  
 1/2" FEMALE  
 SWEAT x 3/4"  
 HOSE

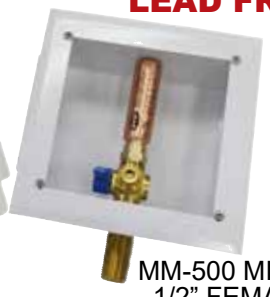
MM-500 PLB-PEX  
 1/2" PEX FITTING  
 x 3/4" HOSE

**LEAD FREE**



MM-500 PIMB  
 1/2" FEMALE SWEAT  
 x 1/4" COMP.

**LEAD FREE**



MM-500 MIMB  
 1/2" FEMALE  
 SWEAT x 1/4"  
 COMP.

**LEAD FREE**



MM-500 PIMB-PEX  
 1/2" PEX FITTING

**LEAD FREE**



MM-500 PIMB-PEX19  
 1/2" ProPEX FITTING

P/N	DESCRIPTION	BOX DIMENSIONS:
MM-500 PLB	Plastic Laundry Box	7-3/4" W x 6-3/4" H x 3" D
MM-500 PLB-PEX	Plastic Laundry Box W/PEX fitting	
MM-500 PLB-PEX19	Plastic Laundry Box W/ProPEX-Uponor fitting	
MM-500 MLB	Metal Laundry Box	8-1/4" W x 6" H x 3-1/2" D
MM-500 MLB-PEX	Metal Laundry Box W/PEX fitting	
MM-500 MLB-PEX19	Metal Laundry Box W/ProPEX-Uponor fitting	
MM-500 PLBFR	Plastic Laundry Box (Fire Rated)	8-3/16" W x 7-1/16" H x 3-5/16" D
MM-500 PLBFR-PEX	Plastic Laundry Box W/PEX fitting (Fire Rated)	
MM-500 PLBFR-PEX19	Plastic Laundry Box W/ProPEX-Uponor fitting (Fire Rated)	
P/N	DESCRIPTION	BOX DIMENSIONS:
MM-500 PIMB	Plastic Ice Maker Box	5-1/4" W x 5-1/4" H x 2-1/2" D
MM-500 PIMB-PEX	Plastic Ice Maker Box W/PEX fitting	
MM-500 PIMB-PEX19	Plastic Ice Maker Box W/ProPEX-Uponor fitting	
MM-500 MIMB	Metal Ice Maker Box	5-3/4" W x 5-1/4" H x 2-1/2" D
MM-500 MIMB-PEX	Metal Ice Maker Box W/PEX fitting	
MM-500 MIMB-PEX19	Metal Ice Maker Box W/ProPEX-Uponor fitting	
MM-500 PIMBFR	Plastic Ice Maker Box (Fire Rated)	3-7/8" W x 5-11/16" H x 2-13/16" D
MM-500 PIMBFR-PEX	Plastic Ice Maker Box W/PEX fitting (Fire Rated)	
MM-500 PIMBFR-PEX19	Plastic Ice Maker Box W/ProPEX-Uponor fitting (Fire Rated)	

Specify drain position when ordering laundry box assemblies.



MM-500 PLB  
 1/2" FEMALE SWEAT  
 x 3/4" HOSE



MM-500 MLB  
 1/2" FEMALE SWEAT  
 x 3/4" HOSE

### PROJECT SUBMITTAL

Project: \_\_\_\_\_

Contractor: \_\_\_\_\_

Engineer: \_\_\_\_\_

Date Submitted: \_\_\_\_\_

Prepared By: \_\_\_\_\_



### Precision Plumbing Products

Division of JL Industries, Inc.  
 802 SE 199th Ave  
 Portland, Oregon 97233  
 T (503) 256-4010  
 F (503) 253-8165  
 www.pppinc.net

NSF/ANSI 61 Certified



Recommended by the Ohio Plumbing Advisory Board



Patent No 3,633,627