



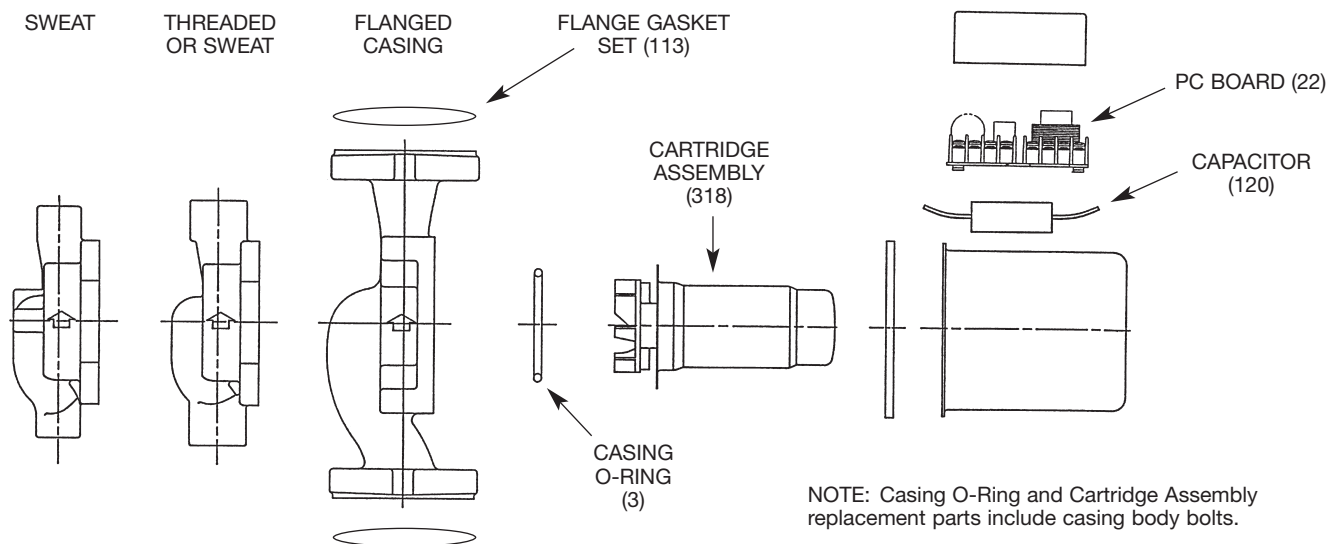
# Replacement Parts List

104-110

## 00 Circulators

SUPERSEDES: 104-110, August 1, 2012

EFFECTIVE: January 1, 2013



### 003-

PUMP MODEL NUMBER	CASING O-RING	FLANGE GASKET SET	CAPACITOR or PC BOARD	CARTRIDGE ASSY. COMPLETE	VALVE ASSY. TRANS/RELAY
003-B4	007-003RP	NA	007-002RP	003-001RP	
003-B4-1 (GRAINGER)	NA	NA	NA	003-002RP	NA
003-B4-1IFC	007-003RP	NA	007-002RP	003-003RP	006-044RP
003-B4-1PNP	007-003RP	NA	007-002RP	003-001RP	
003-B4-2 (GRAINGER)	NA	NA	NA	003-002RP	NA
003-B4-2IFC	007-003RP	NA	007-002RP	003-001RP	006-047RP
003-B4-2PNP	007-003RP	NA	007-002RP	003-001RP	
003-B4-3PNP	007-003RP	NA	007-002RP	003-001RP	006-047RP
003-B4-4PNP	007-003RP	NA	007-002RP	003-001RP	006-047RP
003-B4-IFC	007-003RP	NA	007-002RP	003-003RP	006-044RP
003-B4-PNP	007-003RP	NA	007-002RP	003-001RP	
003-B5Y	007-003RP	NA	007-002RP	003-001RP	
003-B6Y	007-003RP	NA	008-054RP	003-001RP	NA
003-BC4	007-003RP	NA	007-002RP	003-001RP	
003-BC4-1	007-003RP	NA	007-002RP	003-001RP	
003-BC4-10PNP	007-003RP	NA	007-002RP	003-001RP	006-047RP
003-BC4-11PNP	007-003RP	NA	007-002RP	003-001RP	006-047RP
003-BC4-1IFC	007-003RP	NA	007-002RP	003-001RP	006-047RP
003-BC4-1PNP	007-003RP	NA	007-002RP	003-001RP	
003-BC4-2 (GRAINGER)	NA	NA	NA	003-002RP	NA
003-BC4-2PNP	007-003RP	NA	007-002RP	003-001RP	006-047RP
003-BC4-3 (GRAINGER)	NA	NA	NA	003-002RP	NA
003-BC4-3PNP	007-003RP	NA	007-002RP	003-001RP	006-047RP
003-BC4-4PNP	007-003RP	NA	007-002RP	003-001RP	
003-BC4-5PNP	007-003RP	NA	007-002RP	003-001RP	
003-BC4-6PNP	007-003RP	NA	007-002RP	003-001RP	006-047RP
003-BC4-7PNP	007-003RP	NA	007-002RP	003-001RP	006-047RP
003-BC4-8PNP	007-003RP	NA	007-002RP	003-001RP	
003-BC4-9PNP	007-003RP	NA	007-002RP	003-001RP	
003-BC4-IFC	007-003RP	NA	007-002RP	003-001RP	006-047RP

## 009- (Continued)

PUMP MODEL NUMBER	CASING O-RING	FLANGE GASKET SET	CAPACITOR or PC BOARD	CARTRIDGE ASSY. COMPLETE	VALVE ASSY. TRANS/RELAY
009-SF5-1IFC (GRAINGER)	NA	NA	009-018RP	009-025RP	006-047RP
009-SF5-IFC	009-005RP	007-007RP	009-018RP	009-022RP	009-034RP
009-SF5A	009-005RP	007-007RP	0010-012RP	009-022RP	NA
009-SF5R	009-005RP	007-007RP	009-018RP	009-022RP	NA
009-SF5Y	009-005RP	007-007RP	0010-012RP	009-022RP	NA
009-SF5Y-IFC	009-005RP	007-007RP	009-018RP	009-022RP	009-033RP
009-SF6-1	009-028RP	NA	009-018RP		NA
009-ST5-IFC	009-005RP	NA	009-018RP	009-022RP	009-033RP
009-VDTF5	009-005RP	007-007RP	009-035RP	009-021RP	NA
009-VRBF5	009-005RP	007-007RP	009-031RP	009-022RP	NA
009-VRBF5-IFC	009-005RP	007-007RP	009-031RP	009-022RP	009-033RP
009-VRF5	009-005RP	007-007RP	009-031RP	009-021RP	NA
009-VRF5-IFC	009-005RP	007-007RP	009-031RP	009-021RP	009-033RP
009-VRSF5	009-005RP	007-007RP	009-031RP	009-022RP	NA
009-VRSF5-IFC	009-005RP	007-007RP	009-031RP	009-022RP	009-033RP
009-VSBF5	009-005RP	007-007RP	009-035RP	009-022RP	NA
009-VSBF5-IFC	009-005RP	007-007RP	009-035RP	009-022RP	009-033RP
009-VSF5	008-005RP	007-007RP	009-035RP	009-021RP	NA
009-VSSF5	009-005RP	007-007RP	009-035RP	009-022RP	NA
009-VSSF5-IFC	009-005RP	007-007RP	009-035RP	009-022RP	009-033RP
009-VTF5	009-005RP	007-007RP	009-037RP	009-021RP	NA
009-VTF5-1	009-005RP	007-007RP	009-037RP	009-021RP	NA
009-VTF5-K	009-005RP	007-007RP	009-037RP	009-021RP	NA
009-VTSF5	008-005RP	007-007RP	009-037RP	009-022RP	NA
009-VVBF5	009-005RP	007-007RP	009-029RP	009-022RP	NA
009-VVBF5-IFC	009-005RP	007-007RP	009-029RP	009-022RP	009-033RP
009-VVF5	009-005RP	007-007RP	009-029RP	009-021RP	NA
009-VVSF5	009-005RP	007-007RP	009-029RP	009-022RP	NA
009-VVSF5-IFC	009-005RP	007-007RP	009-029RP	009-022RP	009-033RP
009-ZBF5	009-005RP	007-007RP	009-024RP	009-022RP	NA
009-ZBF5-1	009-005RP	007-007RP	009-024RP	009-022RP	NA
009-ZBF5-1IFC	009-005RP	007-007RP	009-034RP	009-022RP	009-033RP
009-ZBF5-2	009-005RP	007-007RP	009-034RP	009-022RP	NA
009-ZBF5-IFC	009-005RP	007-007RP	009-024RP	009-022RP	009-033RP
009-ZF5	009-005RP	007-007RP	009-024RP	009-021RP	NA
009-ZF5-1	009-005RP	007-007RP	009-024RP	009-021RP	NA
009-ZF5-1IFC	009-005RP	007-007RP	009-034RP	009-021RP	009-033RP
009-ZF5-2	009-005RP	007-007RP	009-034RP	009-021RP	NA
009-ZF5-IFC	009-005RP	007-007RP	009-024RP	009-021RP	009-033RP
009-ZSF5	009-005RP	007-007RP	009-034RP	009-022RP	NA
009-ZSF5-IFC	009-005RP	007-007RP	009-034RP	009-022RP	009-033RP

## 00R-

PUMP MODEL NUMBER	CASING O-RING	FLANGE GASKET SET	CAPACITOR or PC BOARD	CARTRIDGE ASSY. COMPLETE	VALVE ASSY. TRANS/RELAY
00R-BC6	008-005RP	NA	007-002RP	008-045RP	NA
00R-BF6-IFC	008-005RP	007-007RP	007-002RP	008-045RP	006-047RP
00R-F6-1IFC	008-005RP	007-007RP	007-002RP	008-044RP	006-047RP
00R-F6-2IFC	008-005RP	007-007RP	007-002RP	008-044RP	006-047RP
00R-F6-IFC	008-005RP	007-007RP	007-002RP	008-044RP	006-047RP
00R-MSF1-1IFC	00R-001RP	007-007RP	007-002RP	00R-002RP	0010-025RP
00R-MSF1-2IFC (GRAINGER)	00R-001RP	007-066RP	NA	00R-003RP	0010-025RP
00R-MSF1-3IFC	00R-001RP	007-007RP	007-002RP	00R-005RP	0010-025RP
00R-MSF1-4IFC	00R-001RP	007-007RP	007-002RP	00R-005RP	0010-025RP
00R-MSF1-6IFC	00R-001RP	007-007RP	007-002RP	00R-005RP	0010-025RP
00R-MSF1-IFC	00R-001RP	007-007RP	007-002RP	00R-002RP	0010-025RP
00R-MSF2-1IFC	00R-001RP	007-007RP	007-002RP	00R-005RP	0010-025RP
00R-MSF2-IFC	00R-001RP	007-007RP	007-002RP	00R-005RP	0010-025RP
00R-SF6-1IFC	008-005RP	007-007RP	007-002RP	008-045RP	0010-025RP
00R-SF6-IFC	008-005RP	007-007RP	007-002RP	008-045RP	0010-025RP