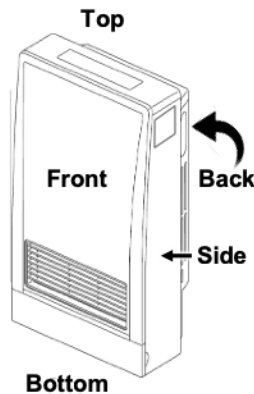


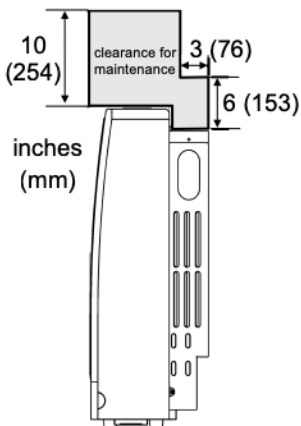
#### Clearances to Combustibles

Location	Clearance
Top and Bottom/ Ground	0 in. (0 mm)
Front (Panel)	40 in. (1 m) <sup>1</sup>
Back (Including Back Spacer)	0 in. (0 mm)
Sides (Left and Right)	2 in. (50 mm)



<sup>1</sup> Does not include flooring material or carpeting less than 1.2 in. (30 mm) in height.

#### Service Clearances



Clearances to access the furnace during servicing are 10 in. (254 mm) from the sides, 40 in. (1 m) from the front, and the area shown above the furnace in the figure to the left.

Rinnai recommends 10 in. (254 mm) clearance from the top and on both sides for servicing.

Models	EX08DT (RHFE-203FTA) EX11DT (RHFE-266FTA)
General Description	Forced Combustion, Forced Convection, Flued Gas Furnace
Application	<ul style="list-style-type: none"> <li>Approved for manufactured home (USA only), mobile home, or residential installation convertible for use with natural gas and liquefied petroleum gases (propane) when provision is made for the conversion from one gas to the other.</li> <li>Approved for commercial setting.</li> <li>Approved for installation at altitudes up to 10,200 ft. (3,109 m).</li> </ul>
Supplied with Purchase	<ul style="list-style-type: none"> <li>Direct Vent Wall Furnace</li> <li>Flue Manifold "A" Vent Kit<sup>2</sup> (FOT-151)</li> <li>Back Spacer Set</li> <li>Manual Gas Shut-off Valve</li> <li>Full Size Wall Template Located on Furnace Carton Box</li> <li>Installation and Wall Mounting Hardware</li> <li>Installation and Operation Manual</li> </ul>
Optional Items	<ul style="list-style-type: none"> <li>Extension Kit (<b>EX11DT Model Only</b>) Extends the exhaust line and air intake hose between the flue manifold and furnace.</li> <li>Remote Thermostat Installation Kit                             <ul style="list-style-type: none"> <li>Part # 204000045 for US installations</li> <li>Part # 204000048 for Canadian installations</li> </ul> </li> <li>Gas Conversion Kit:                             <ul style="list-style-type: none"> <li><b>EX08DT (RHFE-203FTA):</b> <ul style="list-style-type: none"> <li>Part # 203000003 for Converting to Natural Gas</li> <li>Part # 203000004 for Converting to Propane</li> </ul> </li> <li><b>EX11DT (RHFE-266FTA):</b> <ul style="list-style-type: none"> <li>Part # 203000005 for Converting to Natural Gas</li> <li>Part # 203000006 for Converting to Propane</li> </ul> </li> </ul> </li> </ul>

<sup>2</sup> Additional flue manifolds are available for different wall thicknesses (purchased separately). Vent Kit "A" is included with the furnace.

Kit Name	Kit No.	Fits Walls
S Vent Kit	FOT-150	3 - 4 1/2 in. (75 - 115 mm)
A Vent Kit	FOT-151	4 1/2 - 9 1/2 in. (115 - 240 mm)
B Vent Kit	FOT-152	9 1/2 - 15 3/4 in. (240 - 400 mm)
C Vent Kit	FOT-153	15 3/4 - 23 5/8 in. (400 - 600 mm)
D Vent Kit	FOT-154	23 5/8 - 31 1/2 in. (600 - 800 mm)

## TECHNICAL SPECIFICATIONS

	EX08DT		EX11DT	
	Natural Gas	Liquid Propane Gas	Natural Gas	Liquid Propane Gas
Min. Supply Gas Pressure	4.5 in. (114 mm) wc	8.0 in. (203 mm) wc	3.5 in. (89 mm) wc	8.0 in. (203 mm) wc
Max. Supply Gas Pressure	10.5 in. (267 mm) wc	13.0 in. (330 mm) wc	10.5 in. (267 mm) wc	13.0 in. (330 mm) wc
Btu/h Input	Low 3,000 High 8,000		Low 5,500 High 11,000	Low 5,700 High 11,000
Operation	Push Button Electronic			
Gas Connection	1/2 in. (13 mm) Male NPT			
Gas Control	Electronic			
Burners	Stainless Steel Bunsen Burner			
Temperature Control	Electronic Thermostat, Low, 60-80°F (16-26°C) in 2°F (1°C) Increments, High			
Ignition System	Electronic Spark Ignition			
Flue System	The flue must be terminated to atmosphere with only flue components listed with the furnace's certification. Warranty will be voided if non-listed components are installed.			
Humidifier Tray	Capacity - 1.5 pints (700 cc)			
Electrical Connections	AC 120 Volts, 60 Hz, 22 watts			
Standby Power	0.7 watts			
Weight & Sound Level	Weight: 42 lbs (19 kg)		Sound Level: 27-36 dB	

The efficiency rating of this furnace is a product thermal efficiency rating determined under continuous operating conditions and was determined independently of any installed system.

## DIMENSIONS

