



## AWWA C900/IB PVC Pressure Pipe | Gasketed Integral Bell

NAPCO's AWWA C900 Gasketed Integral Bell PVC Pipe product line is manufactured to meet the needs of modern municipal water, wastewater, and reclaimed water systems. With top quality raw materials and modern processing technology, our C900 pipe meets all industry standards in addition to our own rigorous quality control requirements.

Our C900 pipe utilizes Rieber style gaskets throughout the entire product offering to create a leak-free joint.



Short Form Specification											
<b>Pipe Standard:</b>	AWWA C900-16										
<b>Diameter Std.:</b>	Cast Iron Outside Diameter (CIOD)										
<b>Nominal Sizes:</b>	4", 6", 8", 10", 12", 14", 16", 18", 20", 24", 30", 36"										
<b>Dimension Ratios &amp; Pressure Ratings"</b>	<table border="0"> <tr> <td>DR 51 – 80 psi</td> <td>DR 18 – 235 psi (185 psi)**</td> </tr> <tr> <td>DR 41 – 100 psi</td> <td>DR 14 – 305 psi (250 psi)**</td> </tr> <tr> <td>DR 32.5 – 125 psi</td> <td></td> </tr> <tr> <td>DR 25 – 165 psi</td> <td></td> </tr> <tr> <td>DR 21 – 200 psi</td> <td></td> </tr> </table>	DR 51 – 80 psi	DR 18 – 235 psi (185 psi)**	DR 41 – 100 psi	DR 14 – 305 psi (250 psi)**	DR 32.5 – 125 psi		DR 25 – 165 psi		DR 21 – 200 psi	
DR 51 – 80 psi	DR 18 – 235 psi (185 psi)**										
DR 41 – 100 psi	DR 14 – 305 psi (250 psi)**										
DR 32.5 – 125 psi											
DR 25 – 165 psi											
DR 21 – 200 psi											
<b>Lay Length:</b>	20' [6.1m]										
<b>Pipe Compound:</b>	ASTM D1784 Cell Class 12454										
<b>Pipe Joint Std.:</b>	ASTM D3139										
<b>Max. Angular Joint Deflection:‡</b>	1°										
<b>Gasket Standard:</b>	ASTM F477, UL 157										
<b>Gasket Material Offerings:</b>	Standard – SBR Optional – NBR or EPDM										
<b>Installation Std.:</b>	AWWA C605										

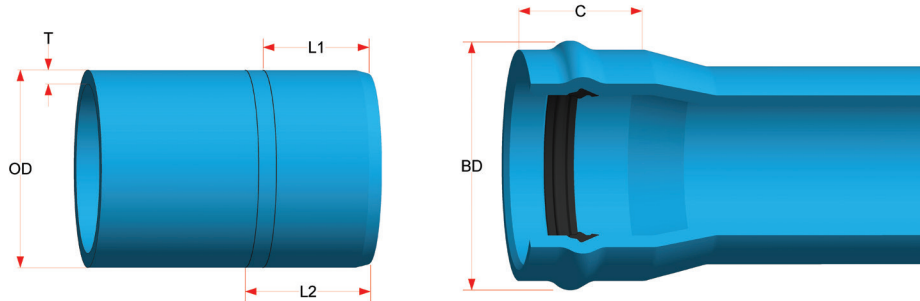
Applications	Potable Water	Waste-water	Reclaimed Water
<b>Color:</b>	Blue	Green	Purple
<b>Certifications:*</b>	NSF 14, NSF 61 CSA B137.3* UL 1285 FM 1612** BNQ 3624-250 (24in)*, BNQ 3660-950 (24in)	CSA B137.3*	CSA B137.3*

\*See Certification Letter for full explanation and list of exceptions.  
 \*\*FM 1612 calculates pressure ratings differently than AWWA for 4"-12" only with DR 18 as 185 psi and DR 14 as 250 psi.  
 ‡See Installation Guide for more information.





## AWWA C900/IB PVC Pressure Pipe | Gasketed Integral Bell



C900/IB PIPE DIMENSIONS & PERFORMANCE

Nom. Size	Outside Diameter (OD)	DR	Pressure Class psi [kPa]	Min. Wall Thickness (T)	Internal Diameter (ID)	Approx. Bell Diameter (BD)	Bell Depth (C)	1 <sup>st</sup> Insertion Mark (L1)	2 <sup>nd</sup> Insertion Mark (L2)
4" [100mm]	4.800 [121.9]	25	165 [1150]	0.192 [4.88]	4.416 [112.1]	6.250 [158.8]	5.000 [127]	3.375 [85.7]	4.375 [111.1]
		18	235 [1620]	0.267 [6.78]	4.266 [108.3]				
		14	305 [2130]	0.343 [8.70]	4.114 [104.5]				
6" [150mm]	6.900 [175.3]	25	165 [1150]	0.276 [7.00]	6.348 [161.3]	8.625 [219.1]	5.750 [146.1]	4.625 [117.5]	5.625 [135.3]
		18	235 [1620]	0.383 [9.72]	6.134 [155.9]				
		14	305 [2130]	0.493 [12.50]	5.914 [150.3]				
8" [200mm]	9.050 [229.9]	25	165 [1150]	0.362 [9.20]	8.326 [211.5]	11.500 [292.1]	7.000 [177.8]	5.625 [135.3]	6.625 [168.3]
		18	235 [1620]	0.503 [12.80]	8.044 [204.3]				
		14	305 [2130]	0.646 [16.40]	7.758 [197.1]				
10" [250mm]	11.100 [281.9]	25	165 [1150]	0.444 [11.30]	10.212 [259.3]	14.000 [355.6]	7.250 [184.2]	6.125 [155.6]	7.125 [181.0]
		18	235 [1620]	0.617 [15.70]	9.866 [250.3]				
		14	305 [2130]	0.793 [20.10]	9.514 [241.7]				
12" [300mm]	13.200 [335.3]	25	165 [1150]	0.528 [13.40]	12.144 [308.5]	16.563 [420.7]	8.000 [203.2]	6.875 [174.6]	7.875 [200]
		18	235 [1620]	0.733 [18.60]	11.734 [298.1]				
		14	305 [2130]	0.943 [23.90]	11.314 [287.5]				
14" [350mm]	15.300 [388.6]	32.5	125 [860]	0.471 [12.0]	14.358 [364.7]	19.063 [484.2]	9.000 [228.6]	7.500 [190.5]	8.500 [215.9]
		25	165 [1150]	0.612 [15.6]	14.076 [357.5]				
		21	200	0.729	13.842				
		18	235 [1620]	0.850 [21.6]	13.600 [345.4]				
		14	305	1.093	13.114				
16" [400mm]	17.400 [442.0]	41	100	0.424	16.552	21.750 [552.5]	10.000 [254.0]	8.500 [215.9]	9.500 [241.3]
		32.5	125 [860]	0.535 [13.6]	16.330 [414.8]				
		25	165 [1150]	0.696 [17.7]	16.008 [406.6]				
		21	200	0.829	15.742				
		18	235 [1620]	0.967 [24.6]	15.466 [392.8]				
		14	305	1.243	14.914				