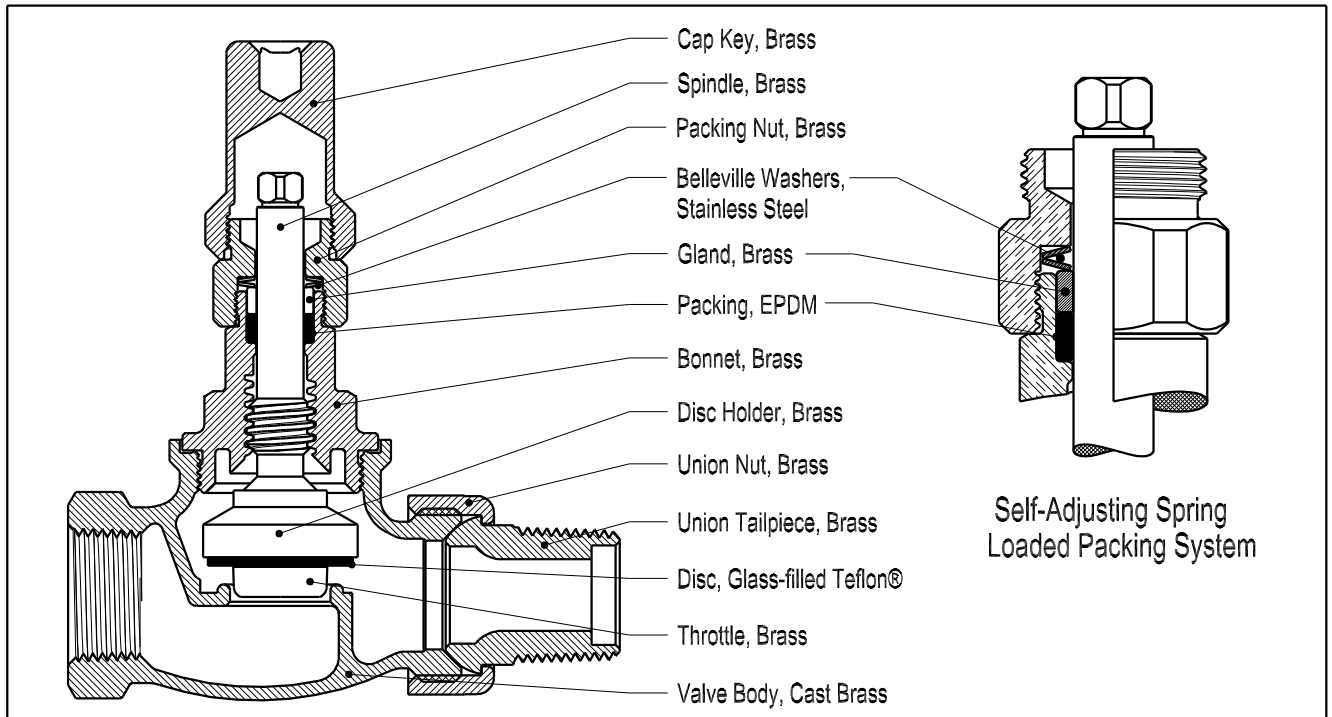


Dahl Brass Balancing Valves with Positive Shut Off Heavy Pattern - Straight

TDS-1007
Page 1 of 2
Rev Jan/13
Replaces: TDS-5

For Forced Heating or Cooling Systems



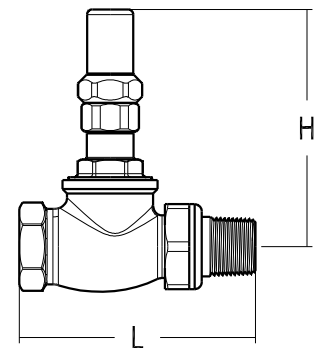
- | | |
|---|---|
| <ul style="list-style-type: none"> - Removable Cap Key - Self-adjusting, spring-loaded packing system - Low friction packing - Working pressure/temperature: 250 psi / 250°F - Designed and manufactured in Canada | <ul style="list-style-type: none"> - Precision-made throttle for flow balancing - Swivel-type disc holder minimizes wear - Replaceable disc - Glass-filled Teflon® disc is good for low pressure steam applications (150 WSP / 300 W), standard on all heavy pattern valves |
|---|---|

Additional Features:

*Memory Feature, other sizes and configurations available

The Cap Key is the operating key – provides an extra seal and protects against tampering. The valve also gives positive shut-off for servicing of the system.

Size (Inlet x Outlet)*	Part Number	H	L
1/2F x 1/2 Dual Union	130134112	4"	3-5/8"
3/4F x 1/2 Dual Union	130136121	4-1/4"	4-1/8"
3/4F x 3/4M Union	130136113	4-1/4"	4-1/8"
1 F x 1 M Union	130138114	4-3/4"	5-1/4"
1-1/4F x 1-1/4M Union	130139115	4-7/8"	5-3/4"



dahl brothers canada limited

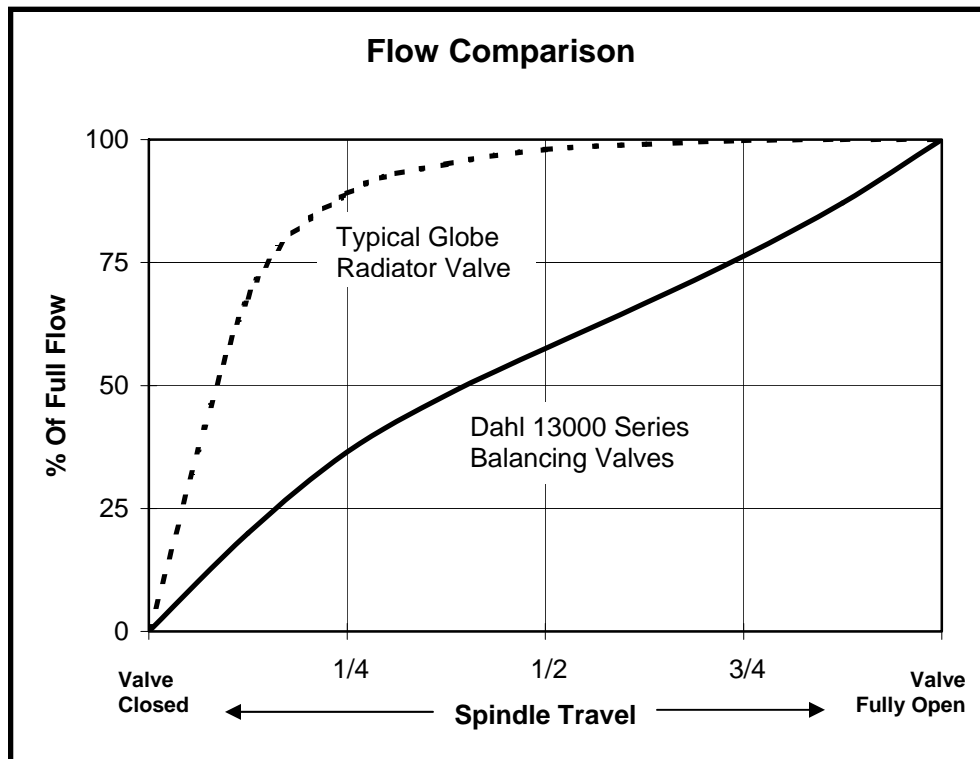
2600 SOUTH SHERIDAN WAY, MISSISSAUGA, ON, CANADA L5J 2M4
905-822-2330 CAN 800-268-5355 U.S. 800-268-2363
FAX(905) 855-1450, USA AND CANADA 800-226-1801

We reserve the right to alter prices and/or technical details without notice

Dahl Brass Balancing Valves with Positive Shut Off
 Heavy Pattern - Straight
 For Forced Heating or Cooling Systems

13013 – Straight Pattern

No. of Turns of Spindle from Closed Position	C_v = Flow in USGPM with 1 psi Pressure Difference Across Valve			
	1/2"	3/4"	1"	1-1/4"
1/2	1.1	2.0	2.1	4.7
1	1.6	2.6	2.8	5.5
2	2.0	3.8	3.2	7.0
3	-	-	4.3	9.5
4	-	-	7.6	13.0
Fully Opened	2.9	5.3	12.0	18.0



dahl brothers canada limited

2600 SOUTH SHERIDAN WAY, MISSISSAUGA, ONTARIO, CANADA L5J 2M4
 905-822-2330 CAN 800-268-5355 U.S. 800-268-2363
 FAX (905) 855-1450, USA AND CANADA 800-226-1801

We reserve the right to alter prices and/or technical details without notice