

**Ecostat**  
**Thermostatic Trim S with Volume Control**  
 Finish: **Chrome** Part no. : **04230000**



**Description**

**Features**

- Volume control for 1 function
- Thermostat cartridge, ceramic cartridge
- Maximum flow rate at 45 psi: 6.0 GPM
- Safety stop at 100 °F

**Item details**

List Price \$ 857.00

**Technology**



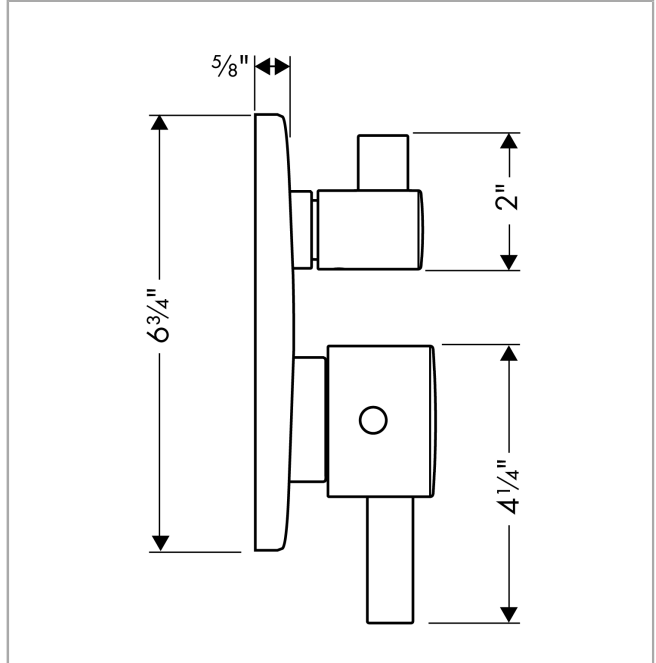
**Compliance / Sustainability**



**Product image**



**Scale drawing**

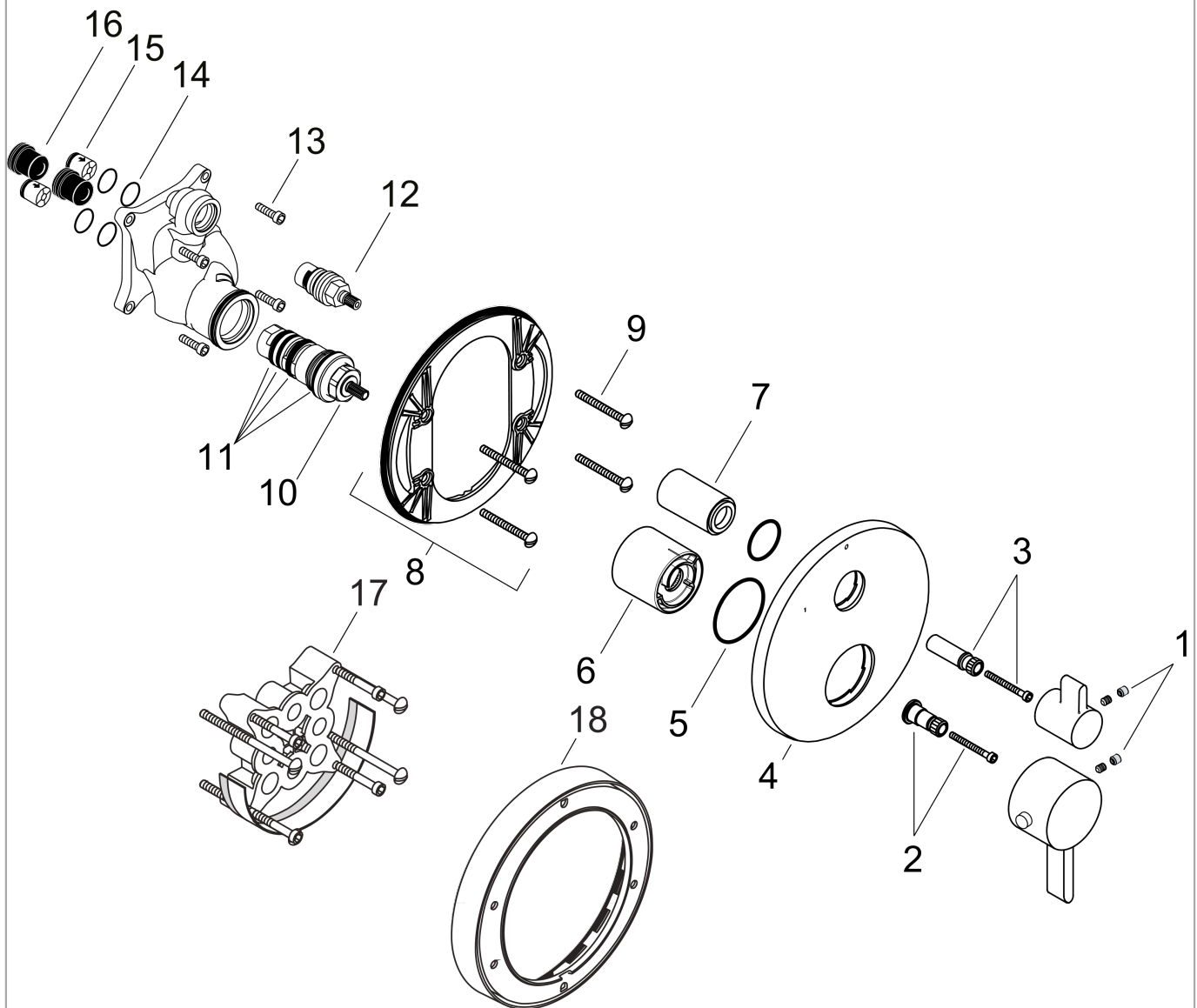


**Ecostat**  
**Thermostatic Trim S with Volume Control**  
 Finish: **Chrome** Part no. : **04230000**



Exploded drawing

Year of production: >12/09



**Ecostat**  
**Thermostatic Trim S with Volume Control**  
 Finish: **Chrome** Part no. : **04230000**



## Spare parts list

Year of production: >12/09

Pos.	Description	Part no.	Price	PU
1	screw cover	95181000	-	1
2	adapter for handle	96435000	-	1
3	adapter for handle	96451000	-	1
4	escutcheon Ø 170 mm	96551001	-	1
5	O-Ring 48x3	95508000	-	1
6	sleeve	95550000	-	1
7	sleeve	96446000	-	1
8	sub plate	96447000	-	1
9	set of fixing screws	96454000	-	1
10	thermostat cartridge	94282000	-	1
11	sealing set	95037000	-	1
12	shut off unit right closing	94009000	-	1
13	set of screws	96525000	-	1
14	O-ring 16x2	98133000	-	1
15	set of non return valves DW 15	94074000	-	1
16	noise reduction	94073000	-	1
17	extension 25 mm	13595000	-	1
18	extension 22 mm (Ø 170 mm)	13596000	-	1
a	O-ring 29x3	98371000	-	1
b	hexagon socket screw M4x35	92160000	-	1